



# OFFROAD ADVENTURE

SUPER  
CAR

BE COURAGEOUS, BE FEARLESS, IS THE SUPER CROSS-COUNTRY SPIRIT

AGES  
**6+**  
XB-03033  
537 pcs



CUSHIONING



STEERING



SPORT PISTON



**DE: ACHTUNG!** Nicht geeignet für Kinder unter 3 Jahren. Erstickungsgefahr, verschluckbare Kleinteile.  
**EN: WARNING!** CHOKING HAZARD. Small parts. Not for children under 3 years.

**FR: ATTENTION!** Ne convient pas pour les enfants de moins de 3 ans. Contient de petites pièces.

**NL: ATTENTIE!** Niet geschikt voor kinderen beneden 3 jaar. Kleine onderdelen kunnen worden ingeslikt.

**IT: ATTENZIONE!** Non adatto a bambini di età inferiore ai 3 anni. A causa di piccole parti.



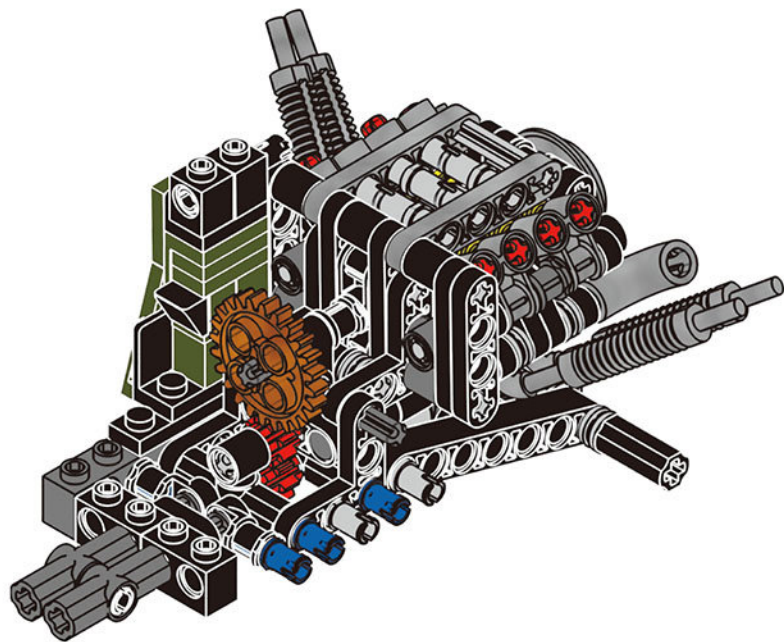
freakware GmbH, Karl-Ferdinand-Braun-Str. 33, 50170 Kerpen (Germany)

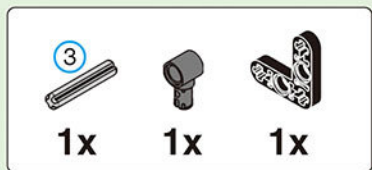
[www.Klembausteine.eu](http://www.Klembausteine.eu)

**fw**  
freakware

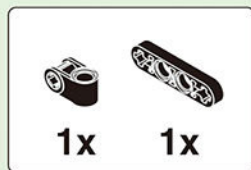
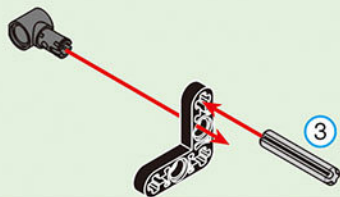


**1**  
**x4**

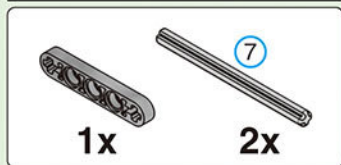
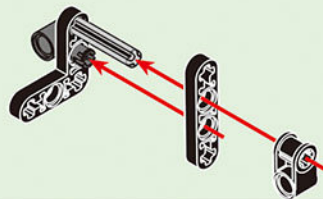




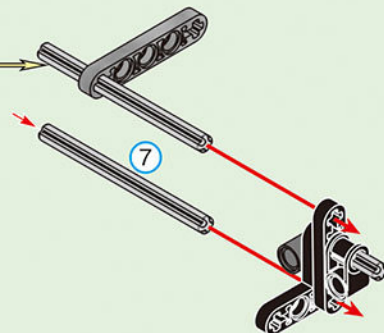
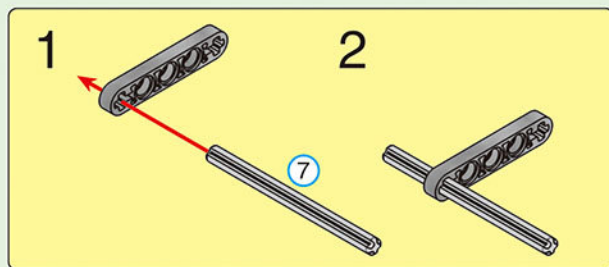
1-1



1-2

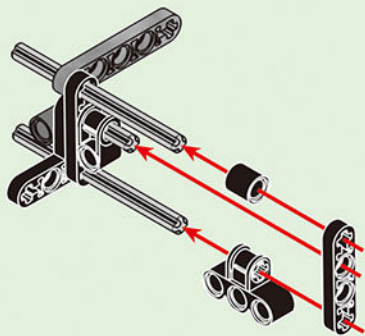


1-3

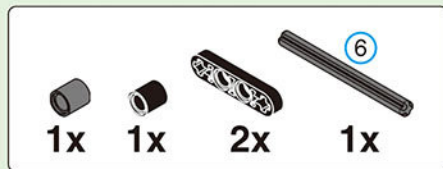




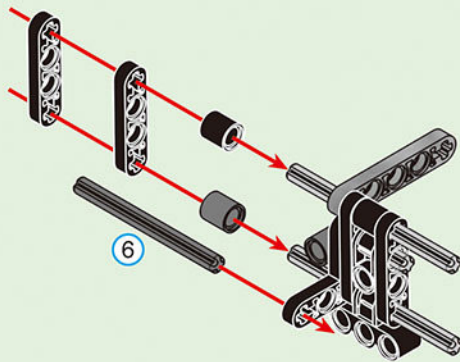
1-4



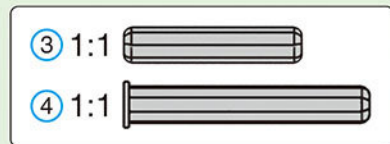
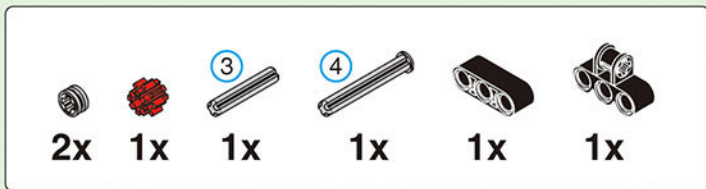
3



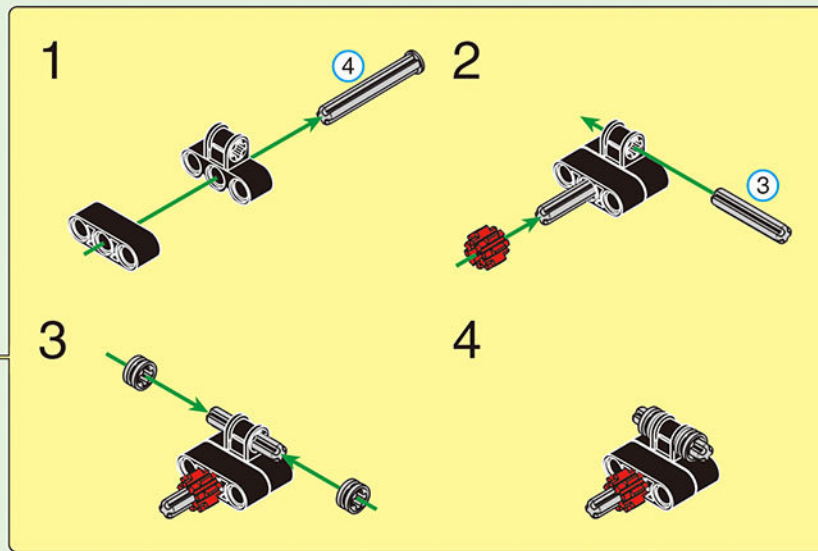
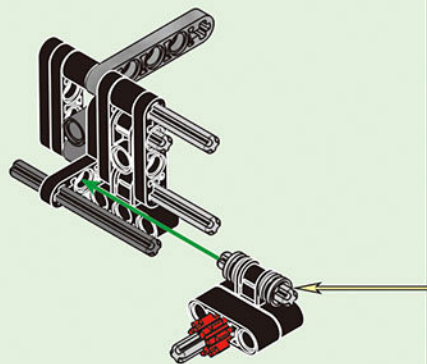
1-5







1-6

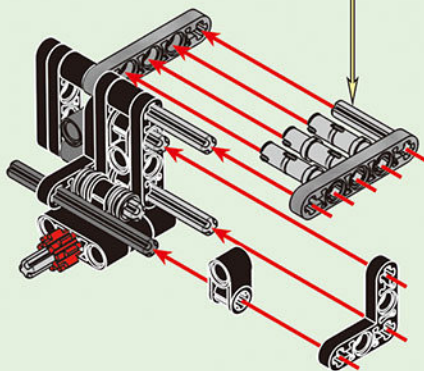
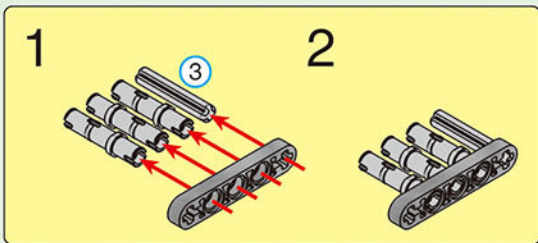




1x 3x 1x 1x 1x

1-7

③ 1:1

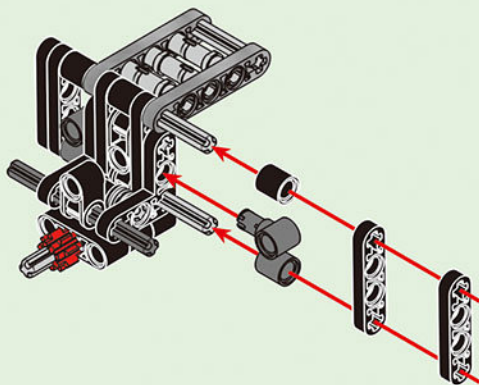


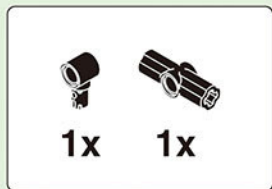
5



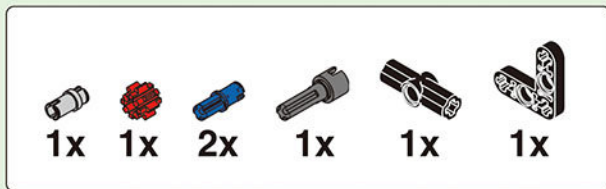
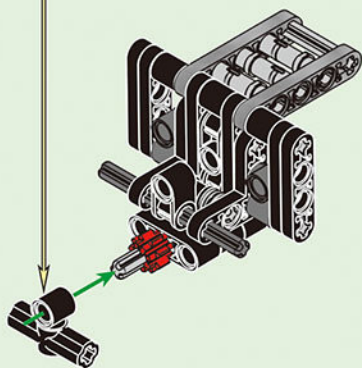
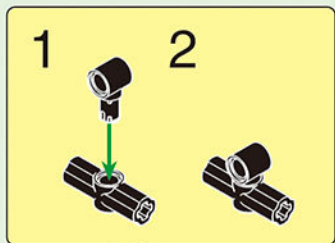
1x 1x 1x 2x

1-8

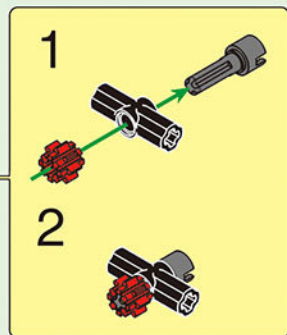
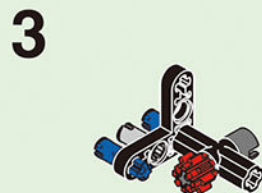
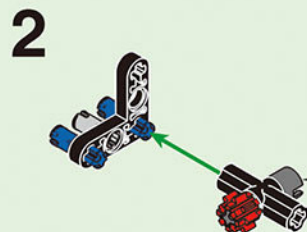
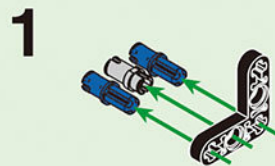




1-9

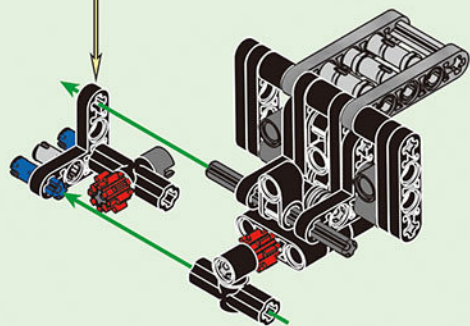


1-10.1



# 1-10

1-10.1



1x

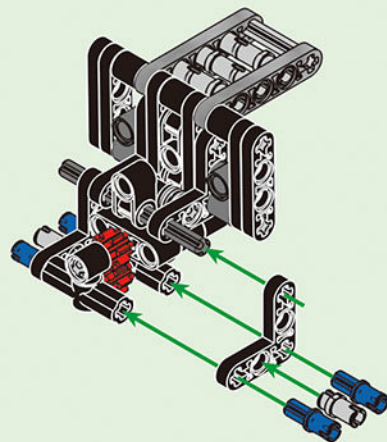


2x

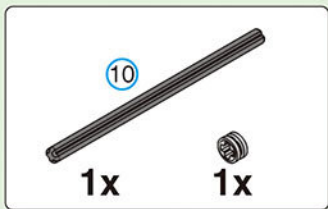


1x

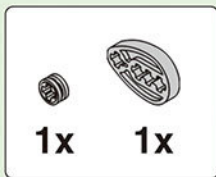
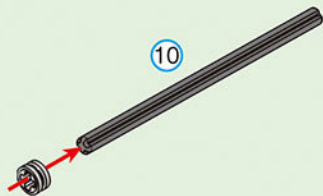
# 1-11



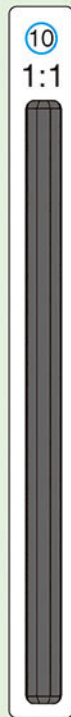
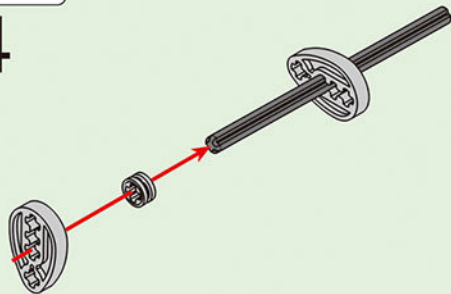




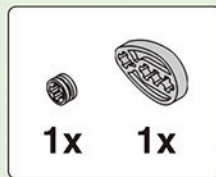
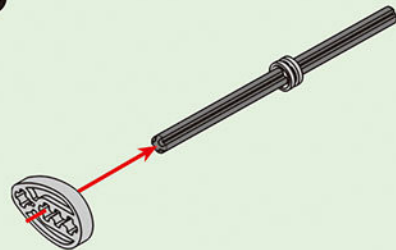
1-12



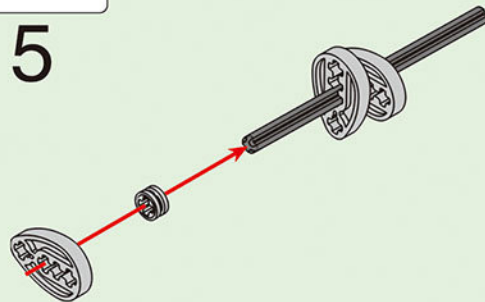
1-14

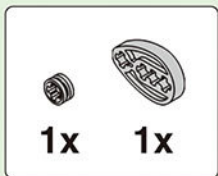


1-13

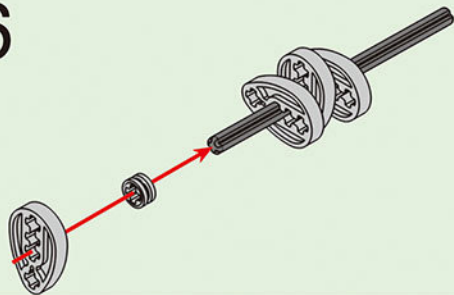


1-15

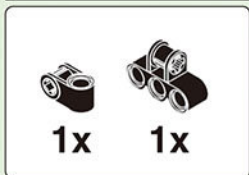
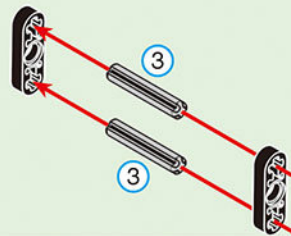




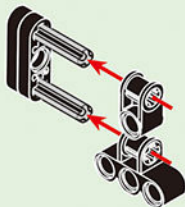
1-16



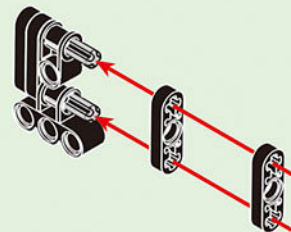
1-17.1



1-17.2



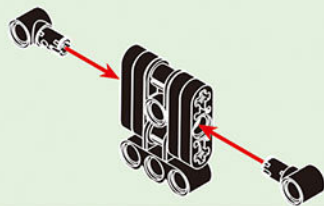
1-17.3





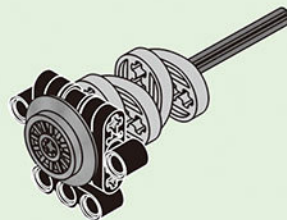
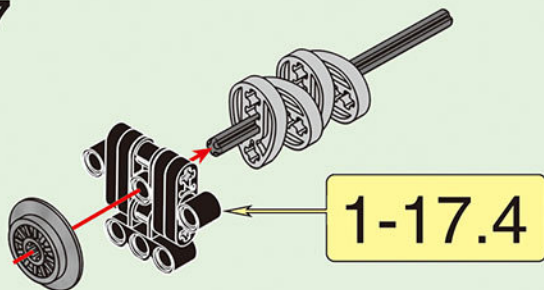
2x

1-17.4



1x

1-17

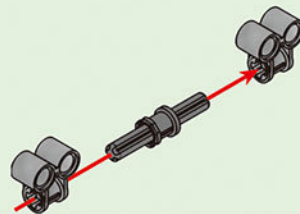
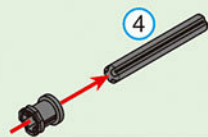




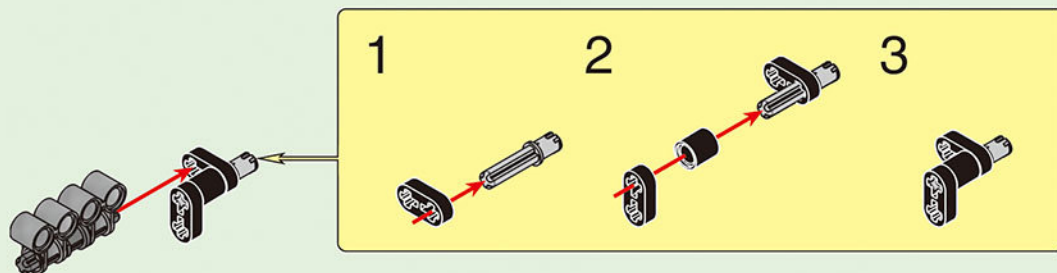
1-18.1



1-18.2



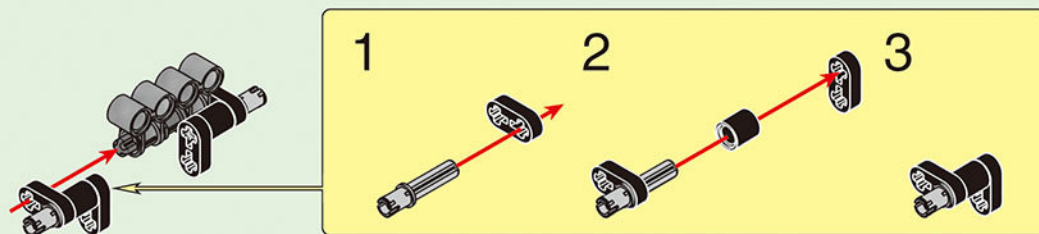
1-18.3



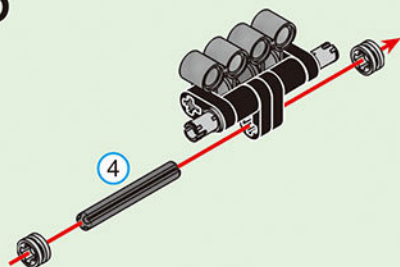




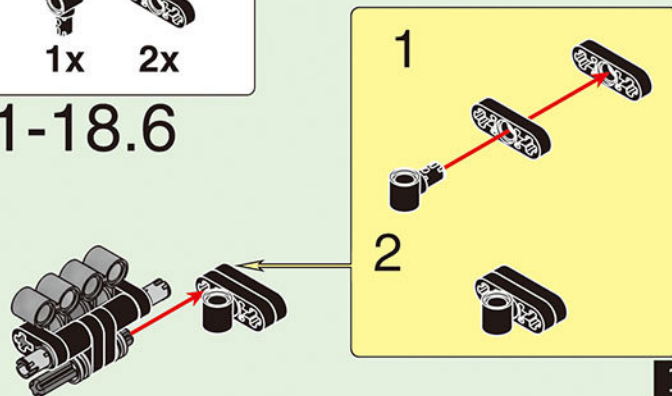
1-18.4

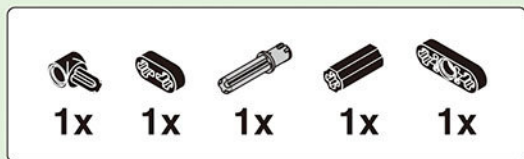


1-18.5

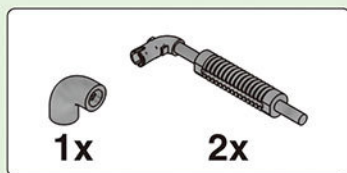
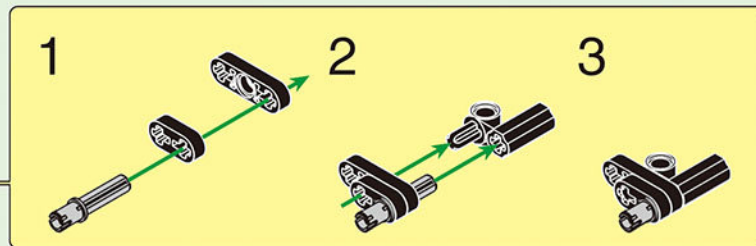
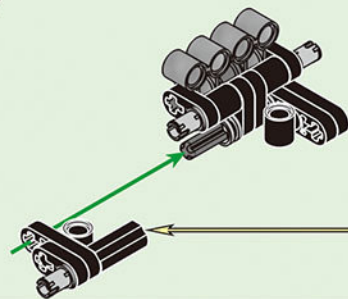


1-18.6

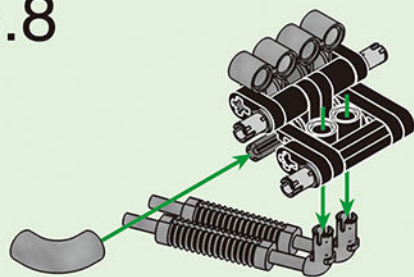




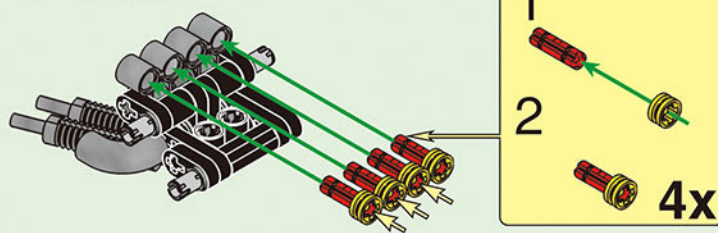
1-18.7



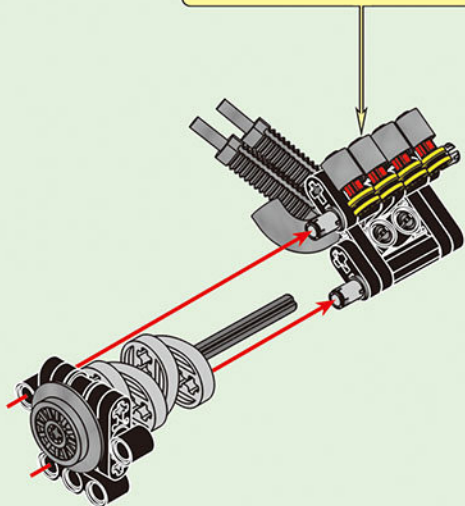
1-18.8



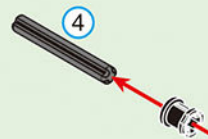
1-18.9



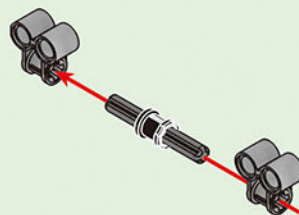
# 1-18



## 1-19.1

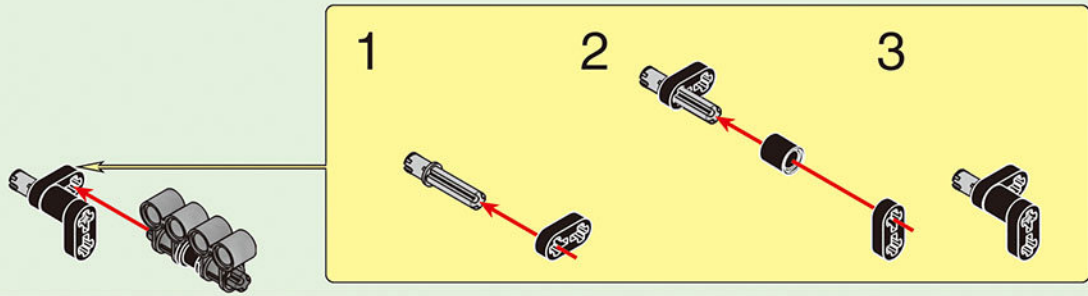


## 1-19.2

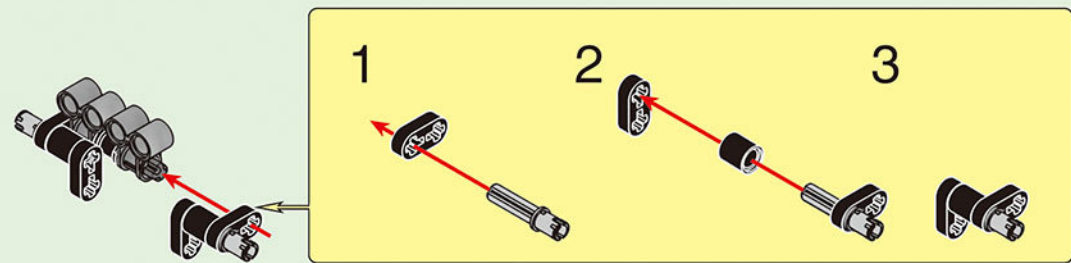




# 1-19.3



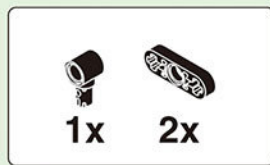
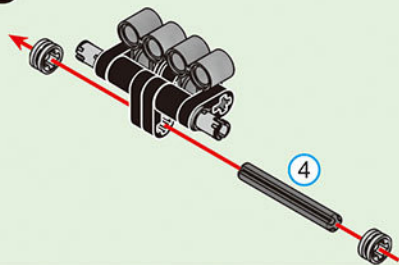
# 1-19.4



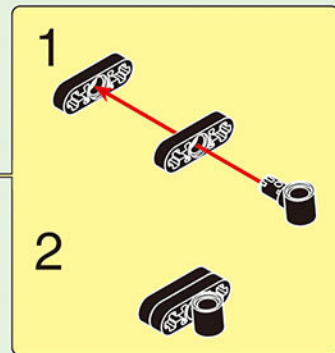
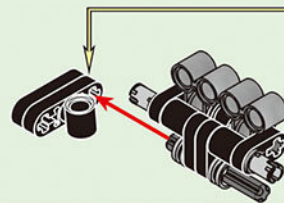




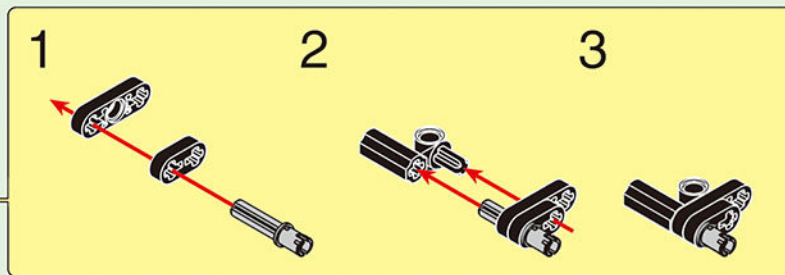
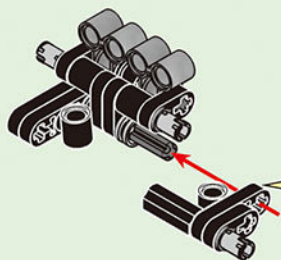
1-19.5

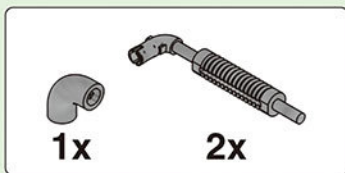


1-19.6

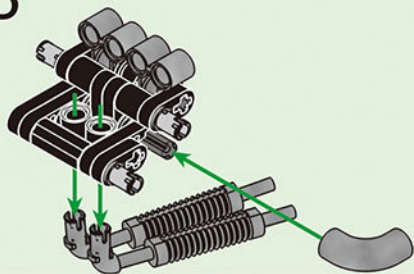


1-19.7

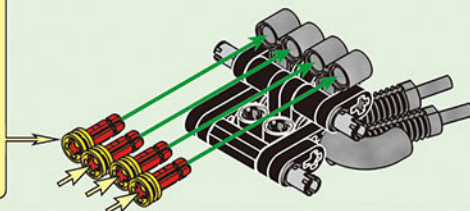
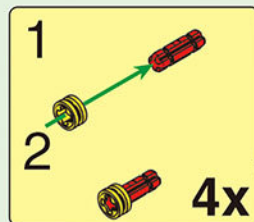




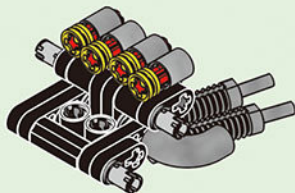
1-19.8



1-19.9

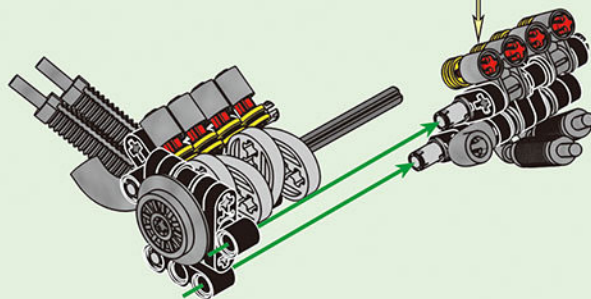


1-19.10



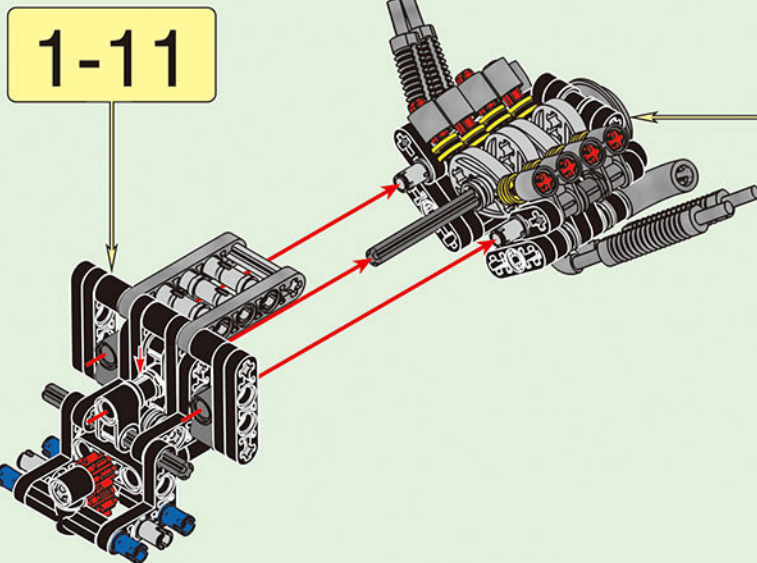
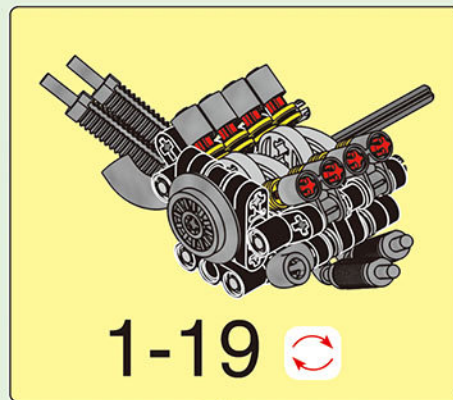
1-19

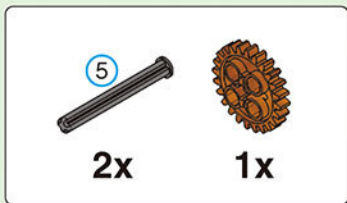
1-19.10 



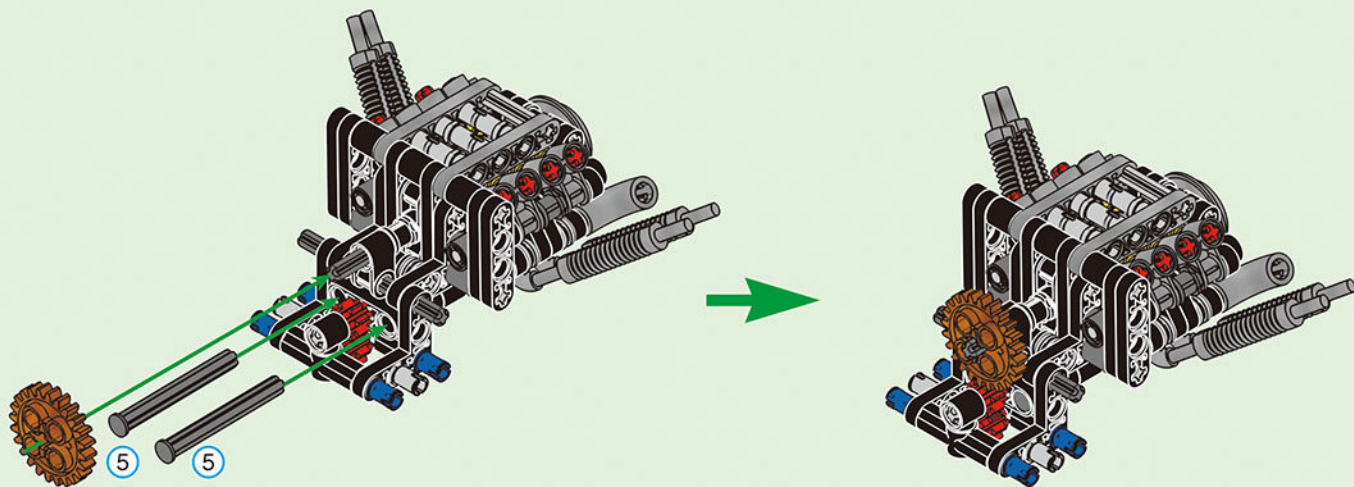


1-20

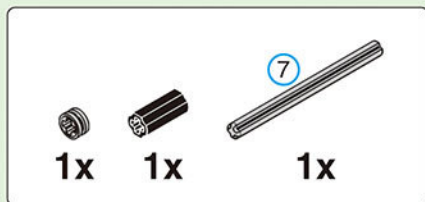




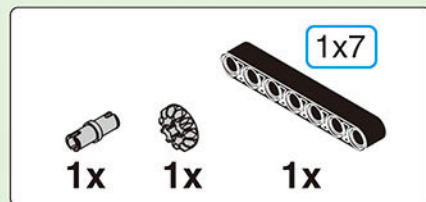
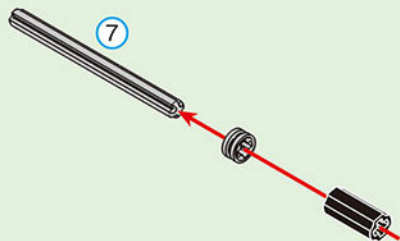
1-21



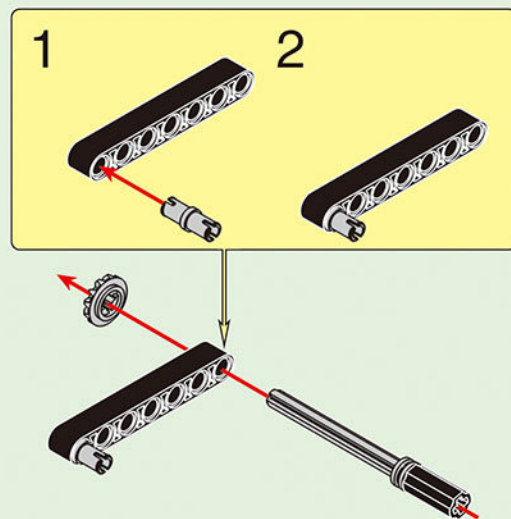




1-22.1

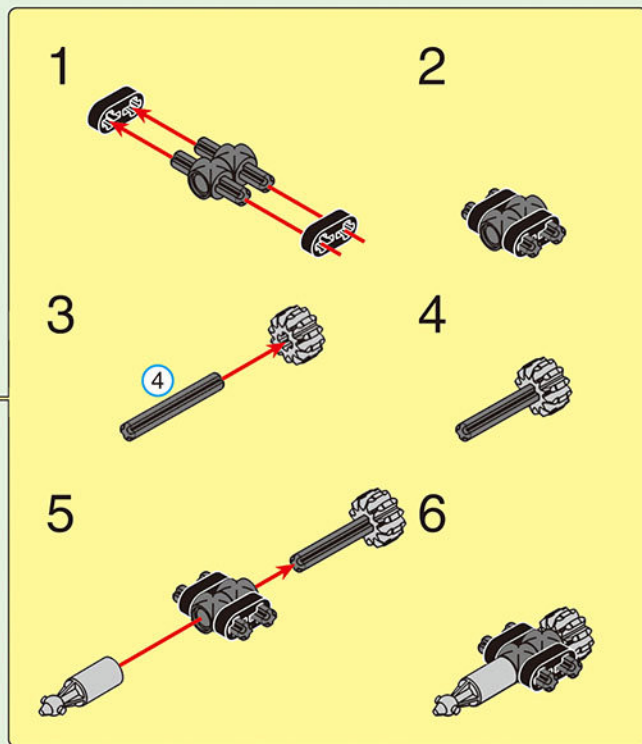
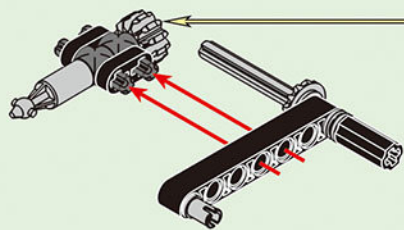


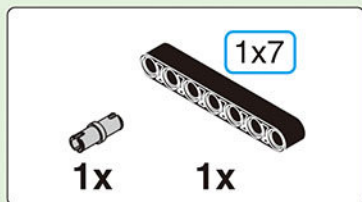
1-22.2



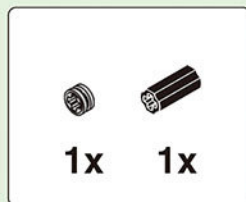
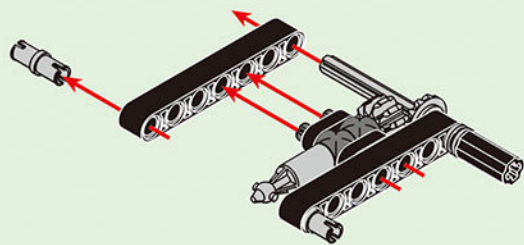


1-22.3

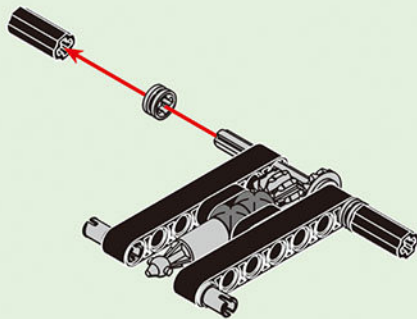




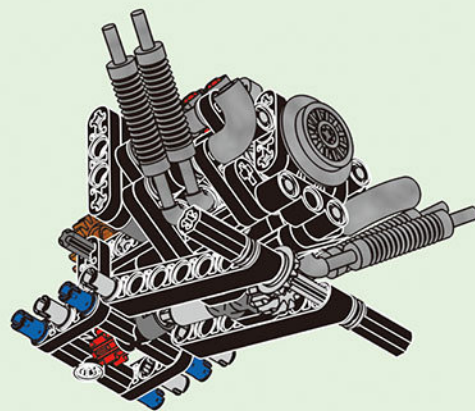
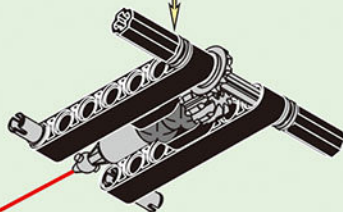
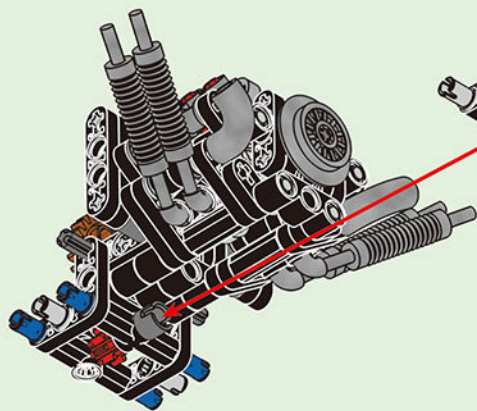
1-22.4

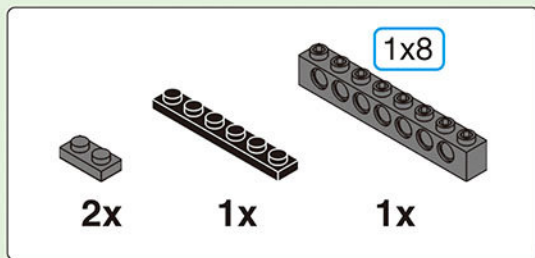


1-22.5

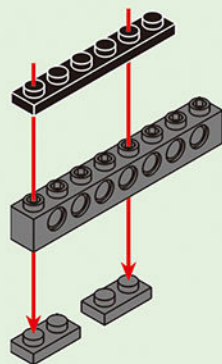


1-22

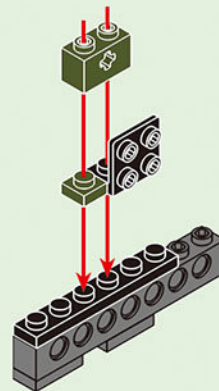




1-23.1

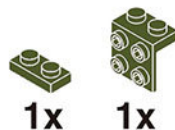
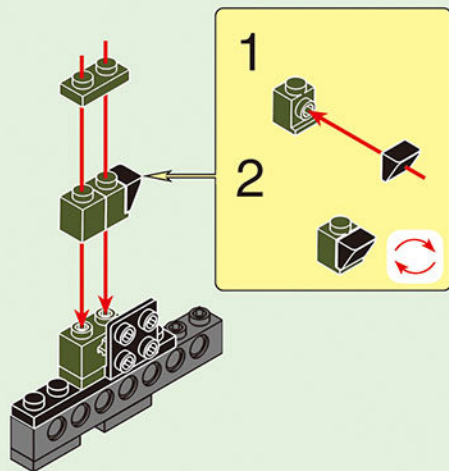


1-23.2

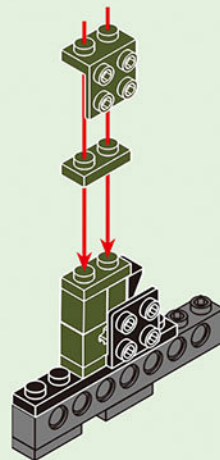




1-23.3



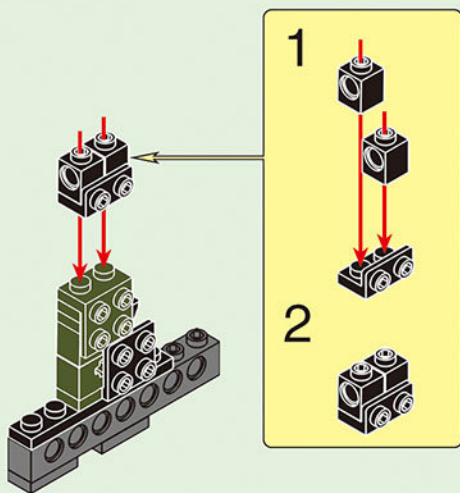
1-23.4





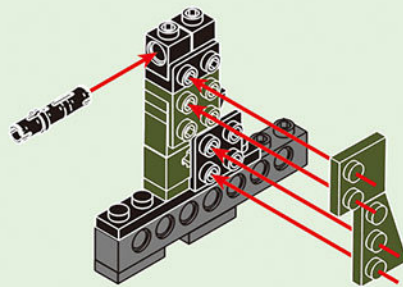
1x 2x

1-23.5



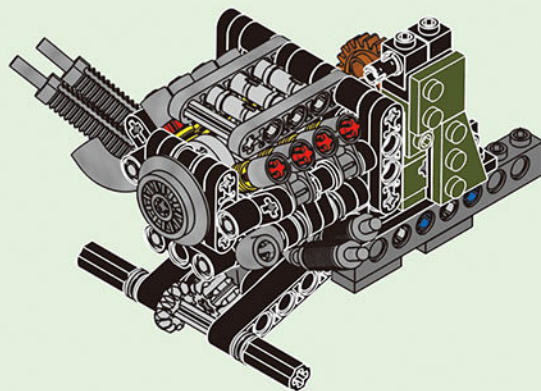
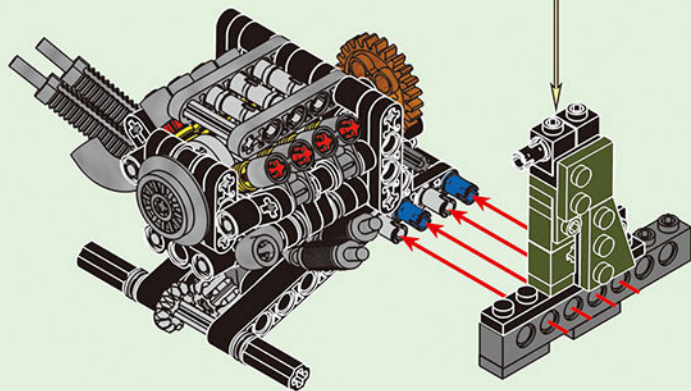
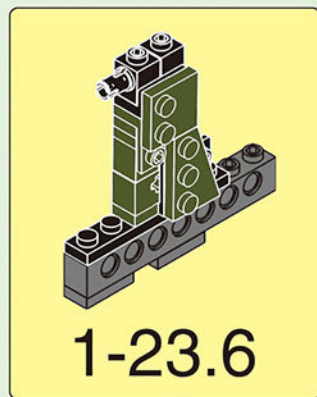
1x 1x 1x

1-23.6



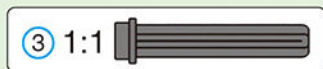


1-23

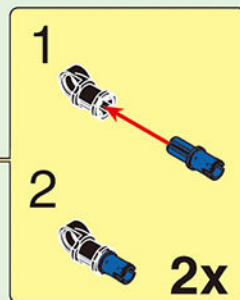
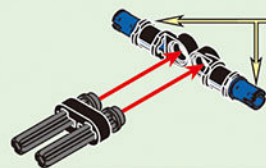




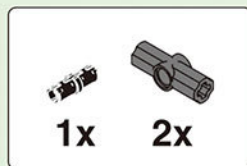
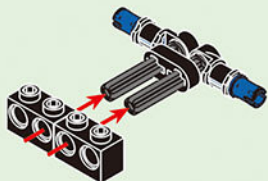
1-24.1



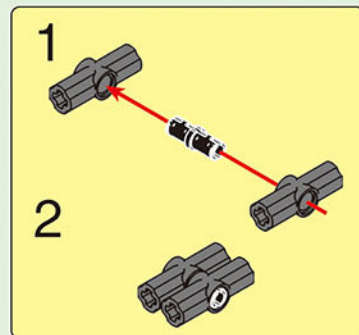
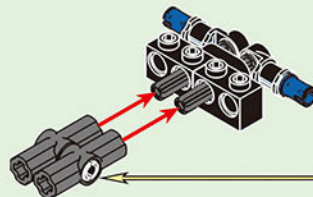
1-24.2



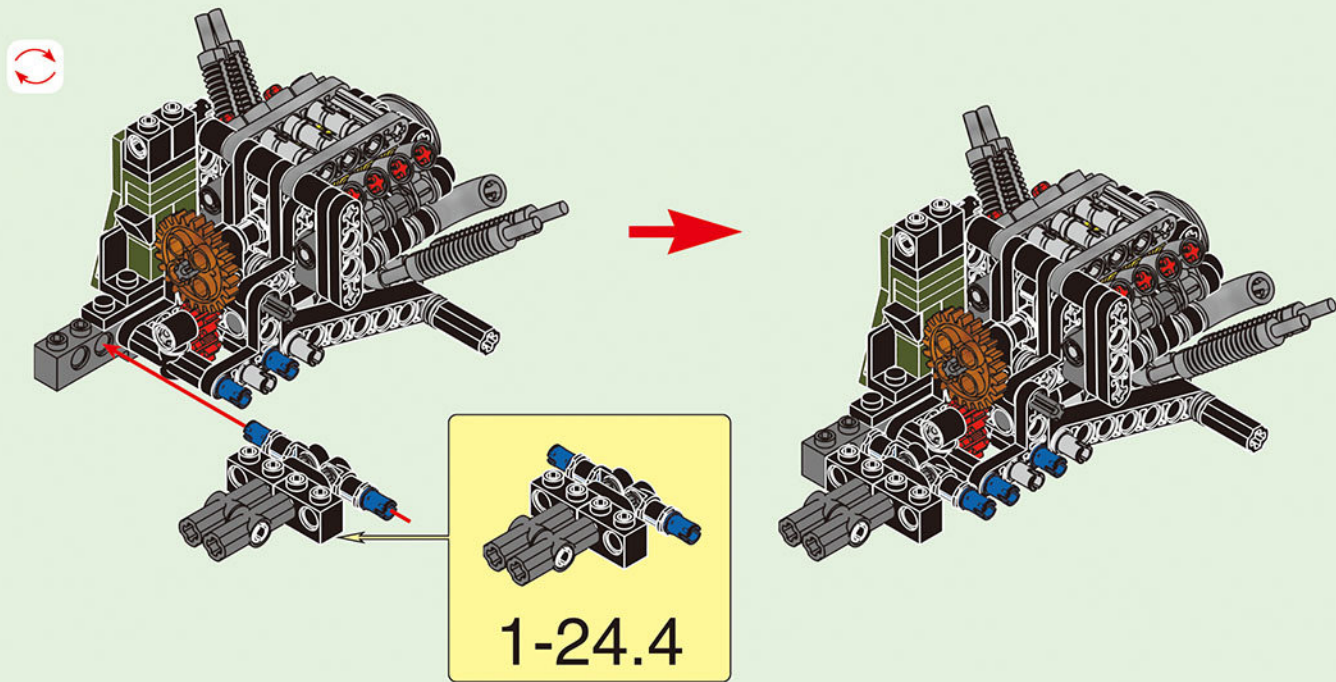
1-24.3



1-24.4

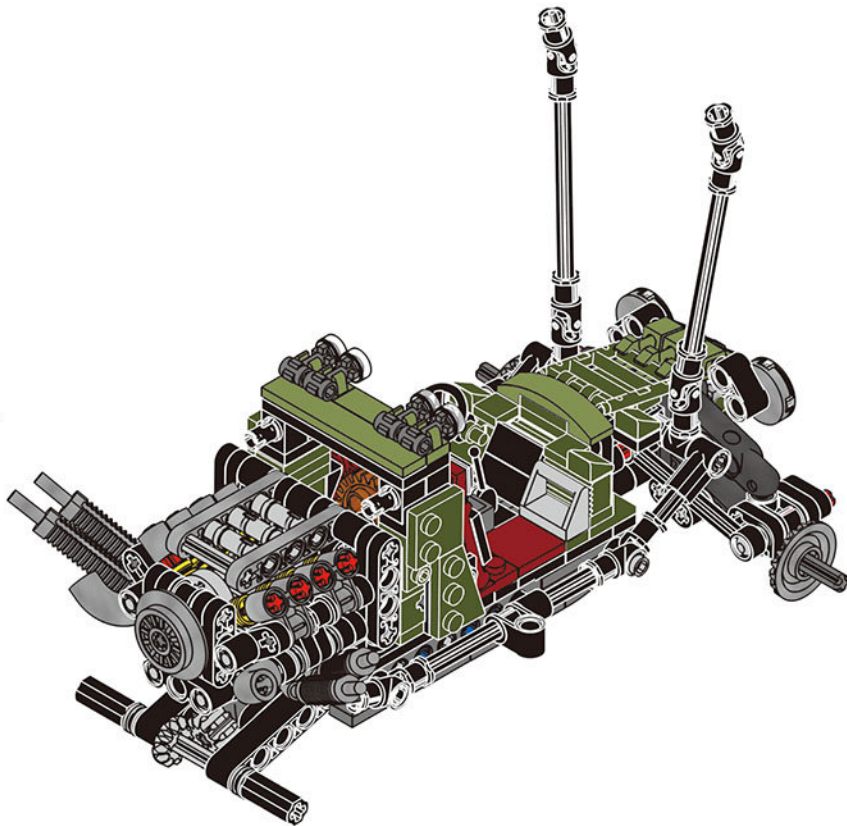


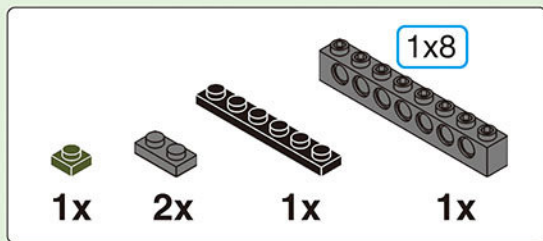
1-24



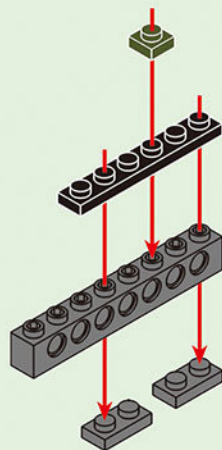


x4

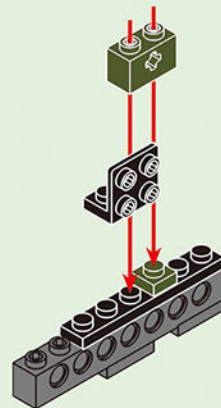


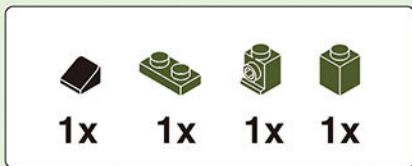


2-1.1

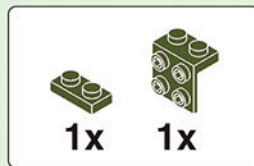
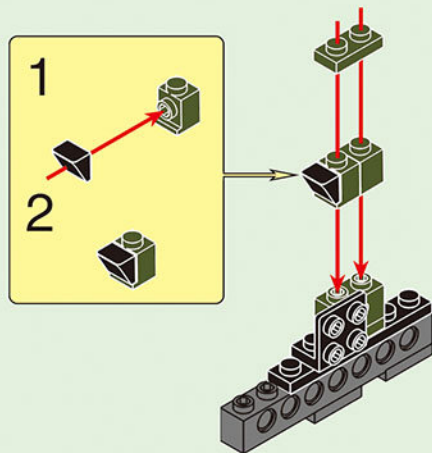


2-1.2

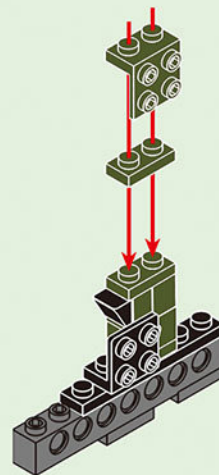




2-1.3



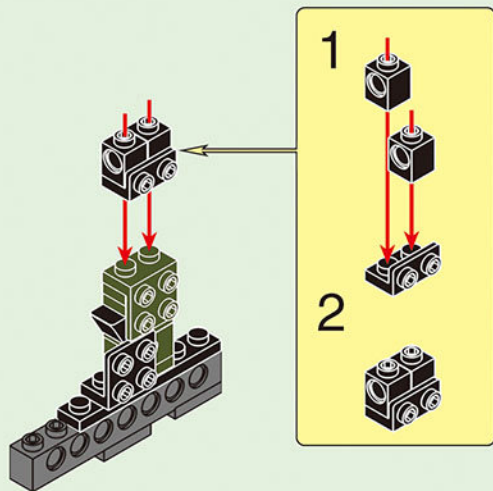
2-1.4





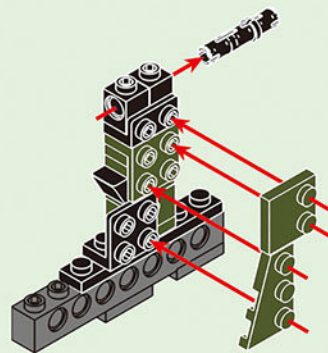
1x 2x

2-1.5



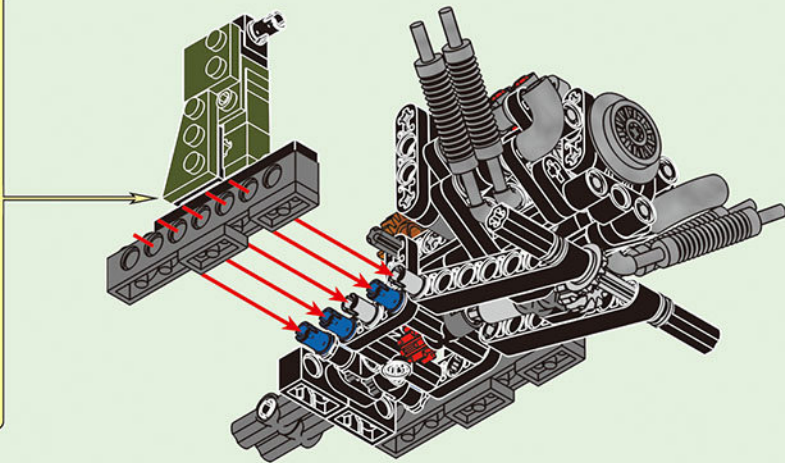
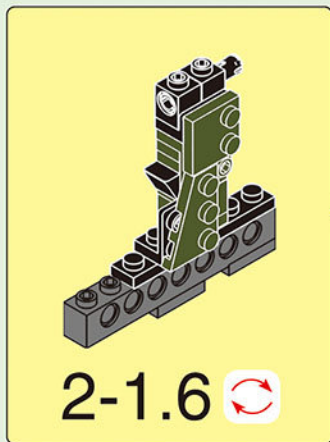
1x 1x 1x

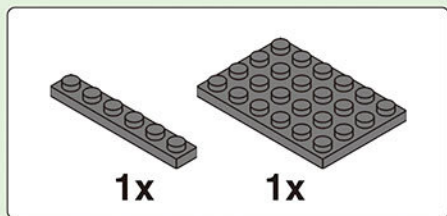
2-1.6



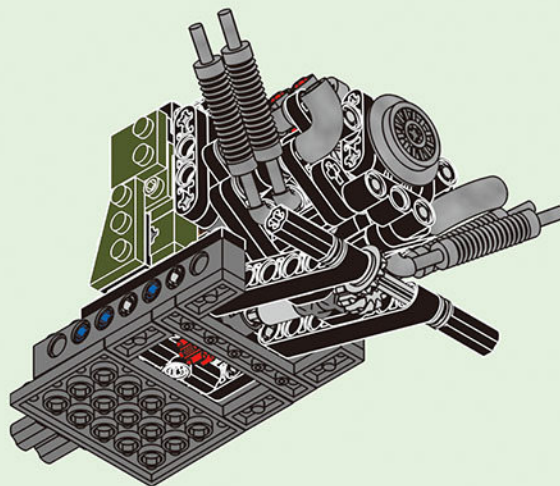
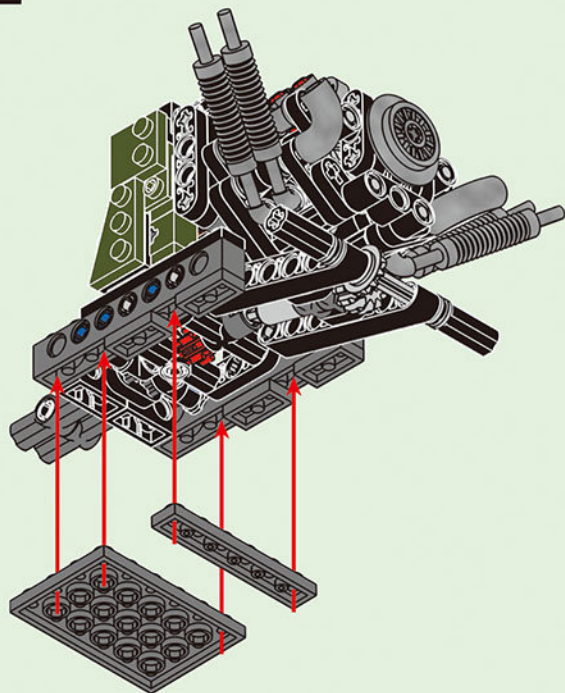


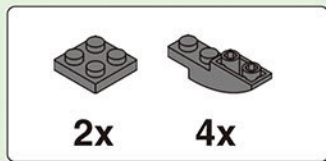
# 2-1



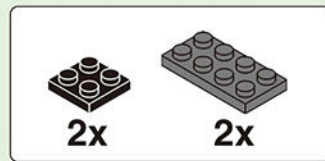
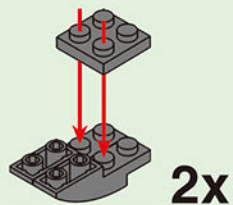


2-2

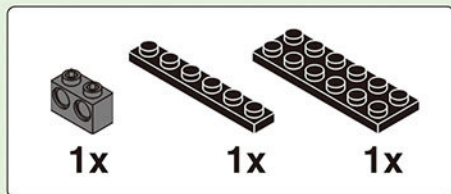
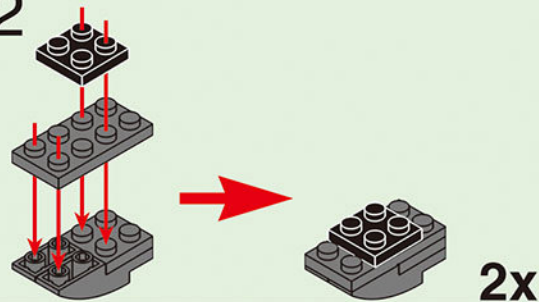




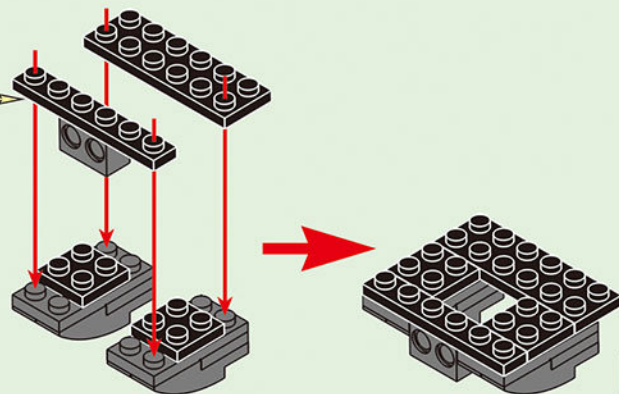
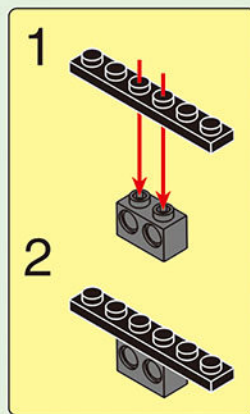
2-3.1

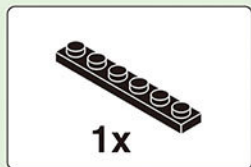


2-3.2

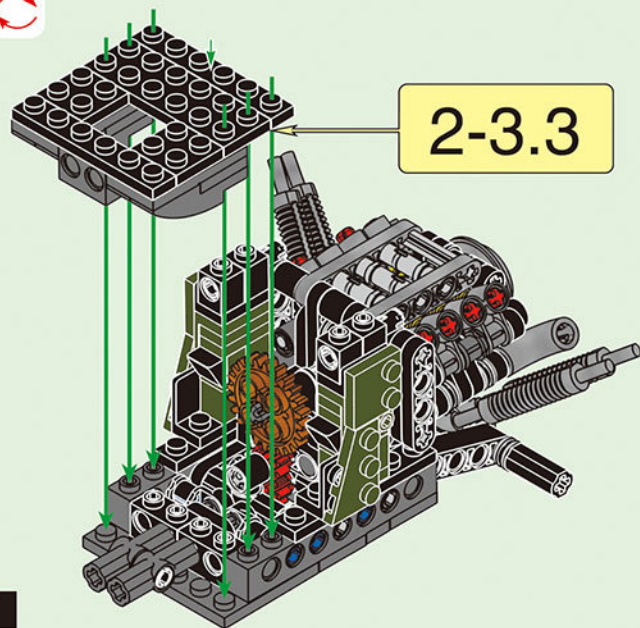


2-3.3



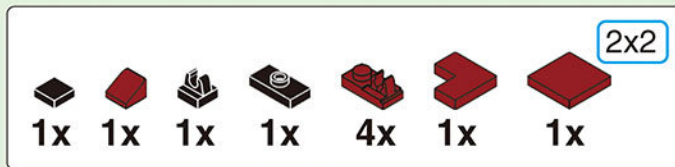


2-3

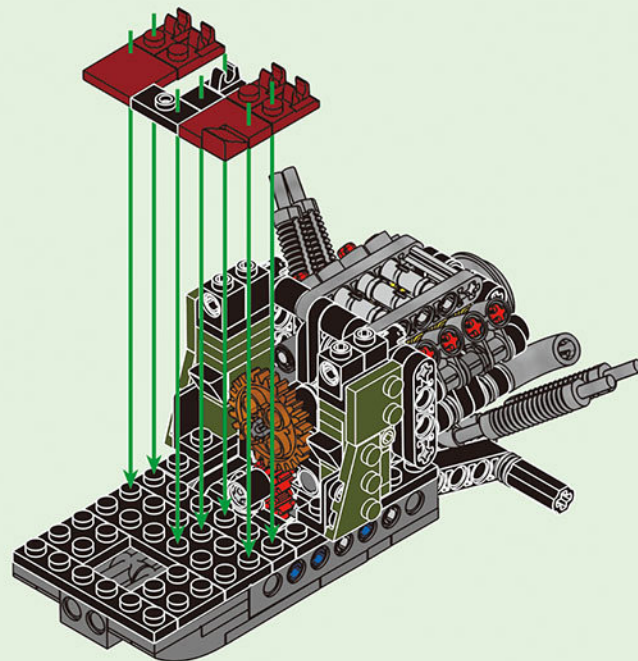


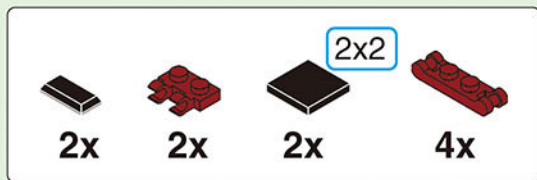
2-3.3

37

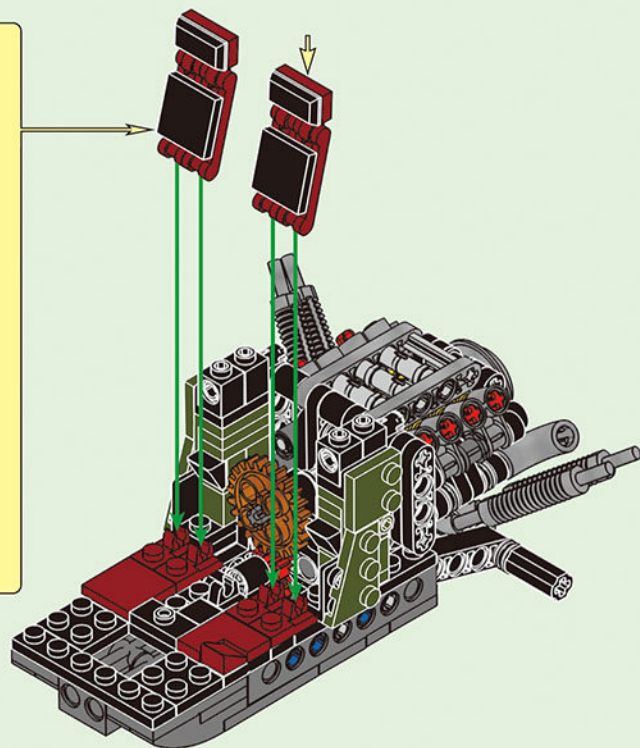
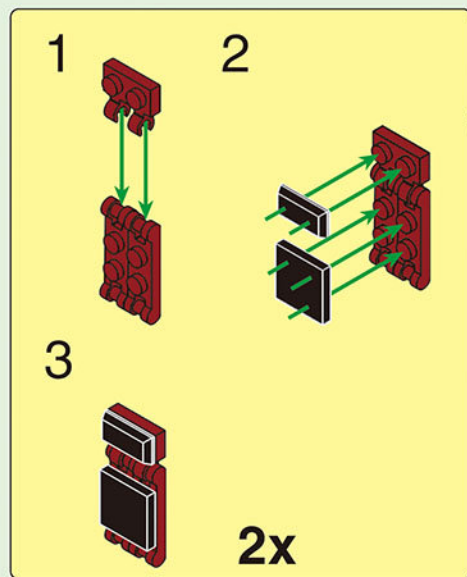


2-4

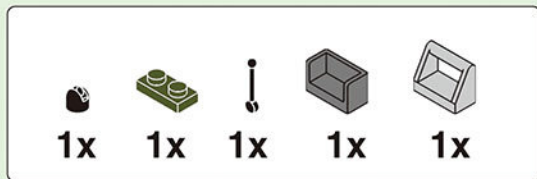




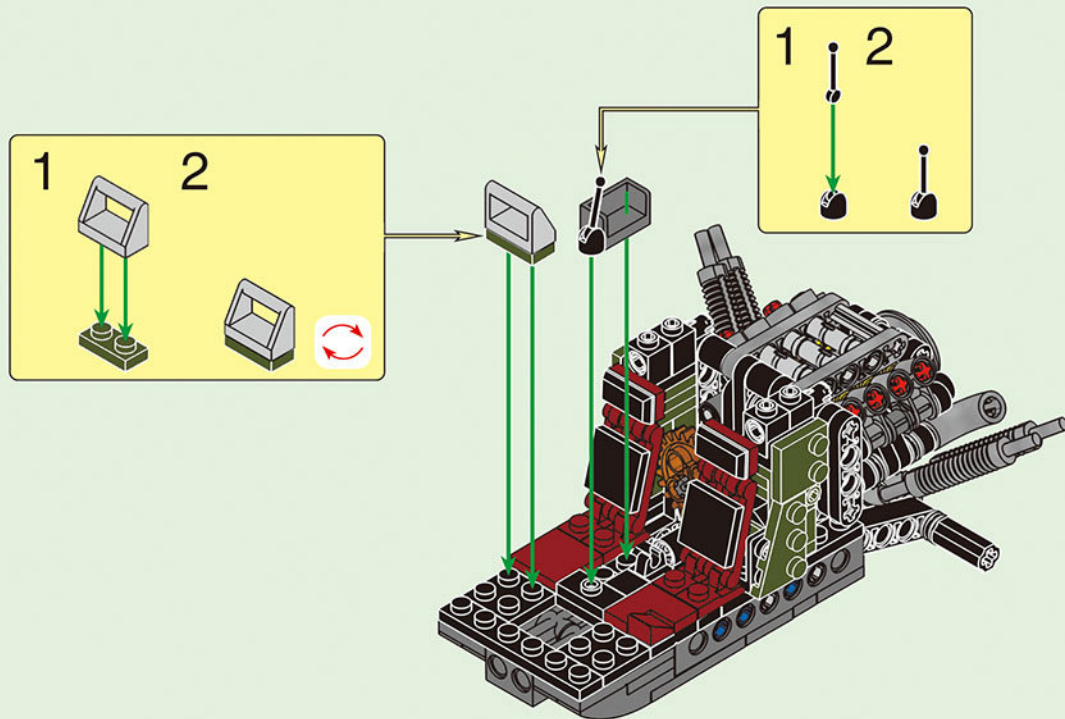
2-5





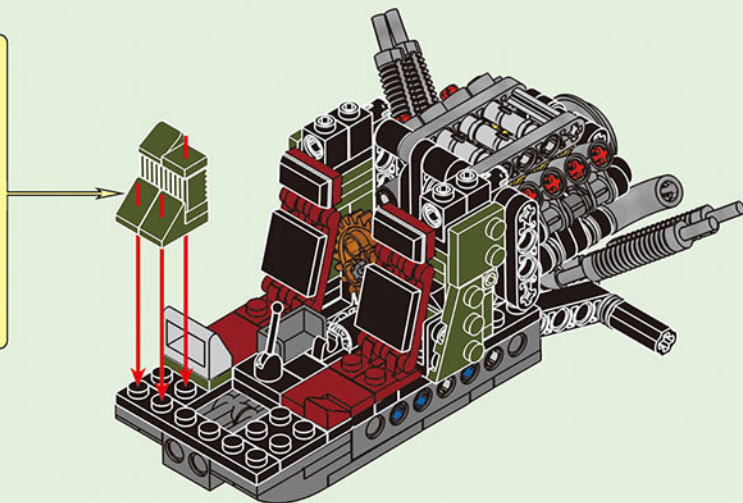
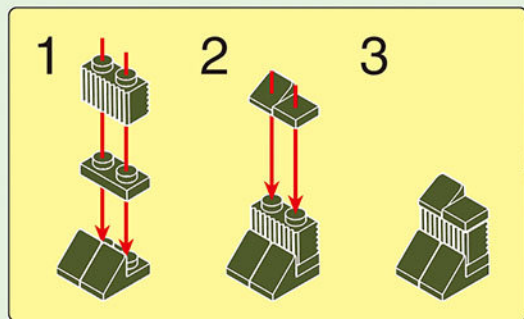


2-6





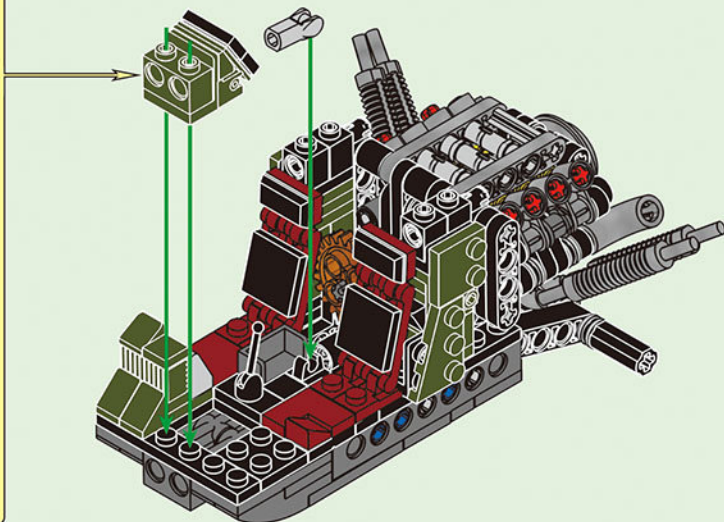
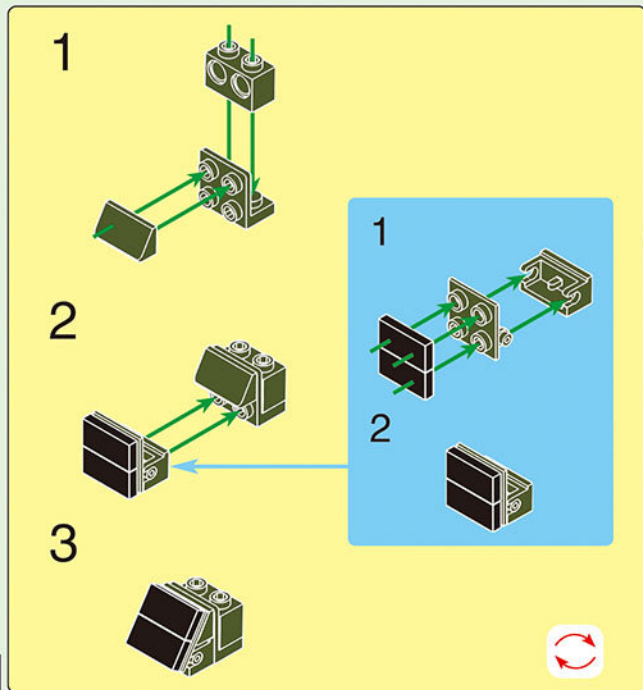
2-7

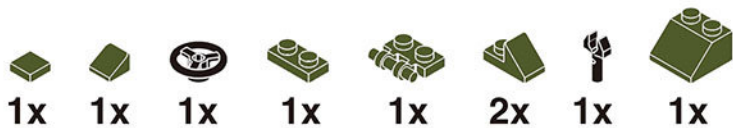




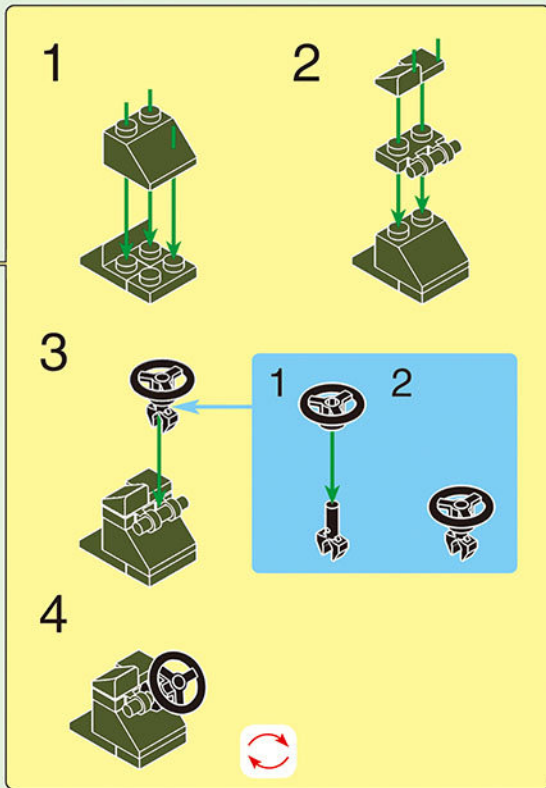
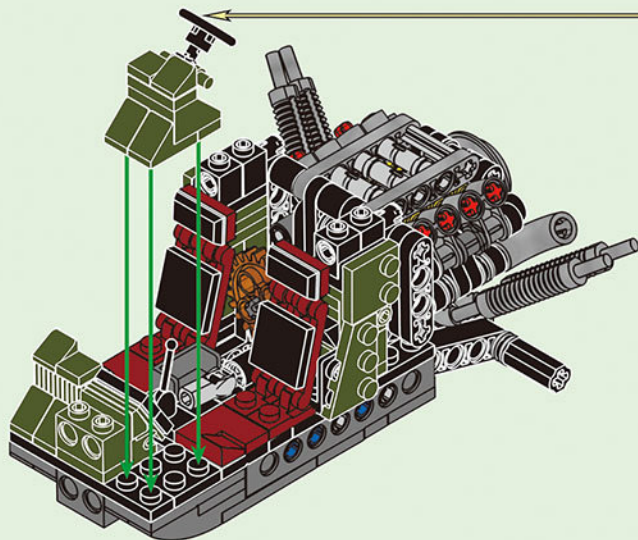


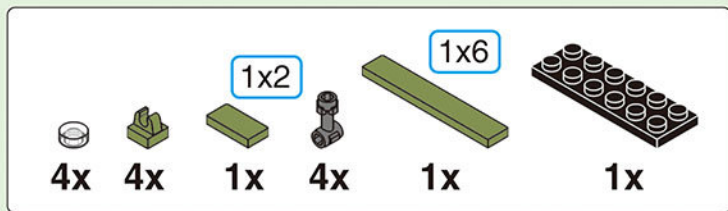
# 2-8



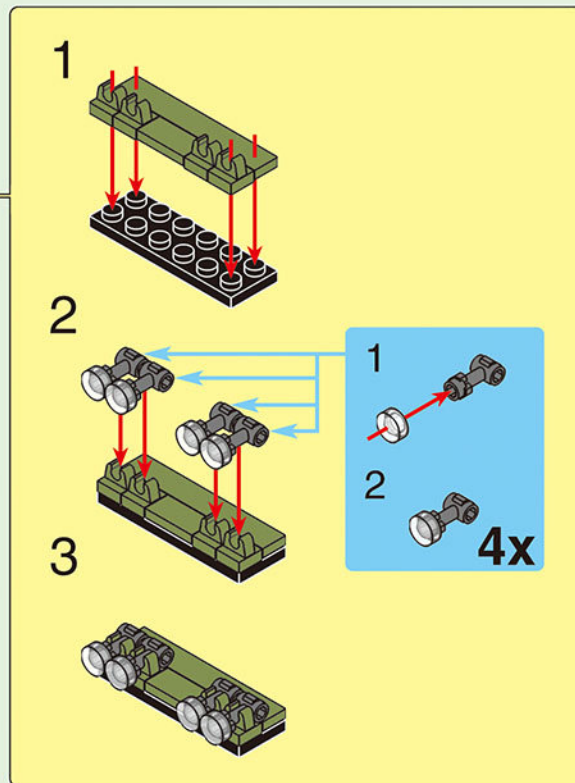
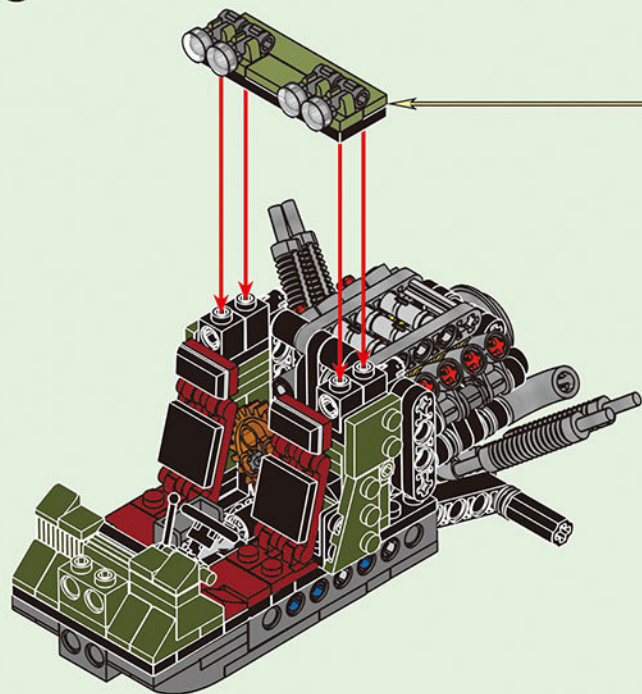


2-9



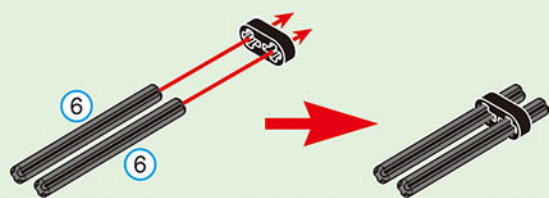


2-10

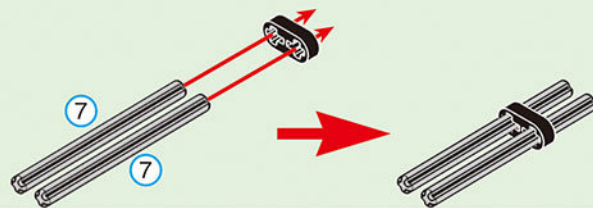




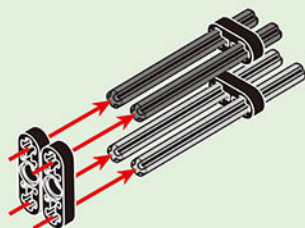
2-11.1 6 1:1



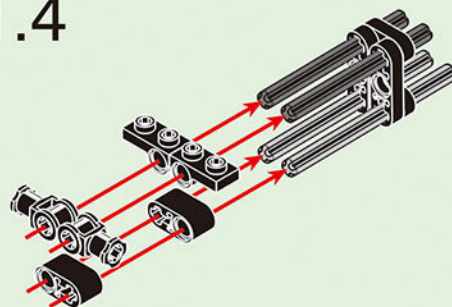
2-11.2 7 1:1



2-11.3

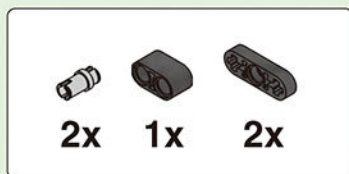
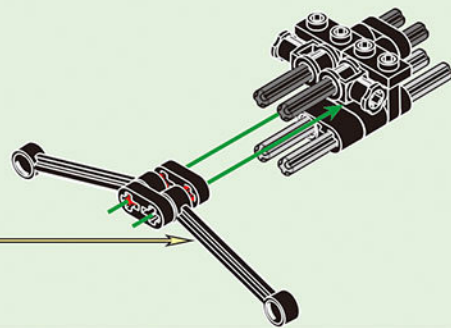
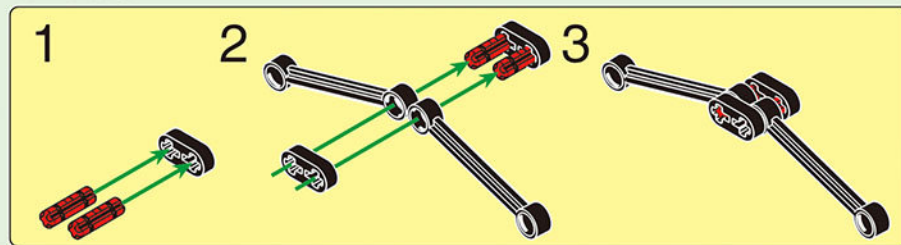


2-11.4

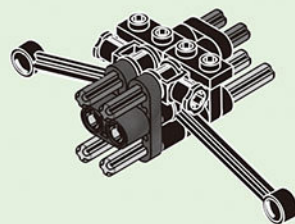
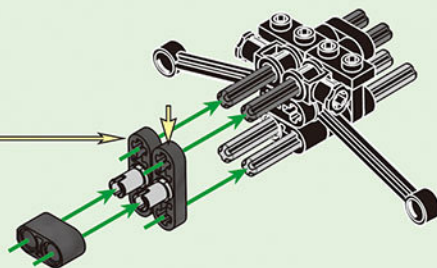
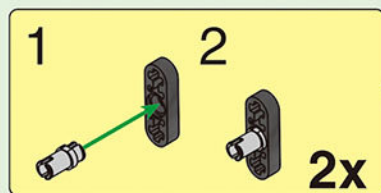


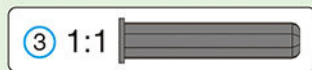
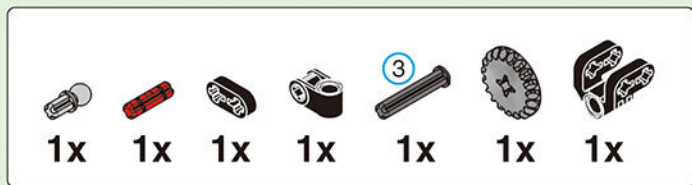


2-11.5



2-11.6



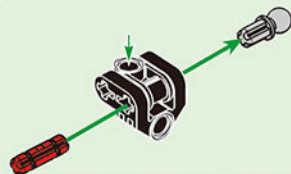


## 2-12.1

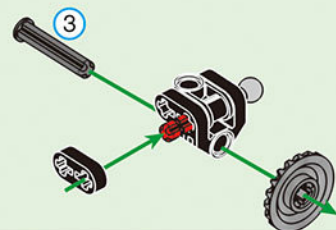
1



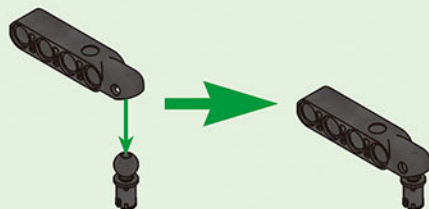
2



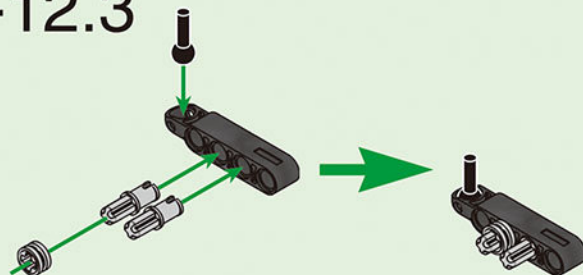
3



## 2-12.2

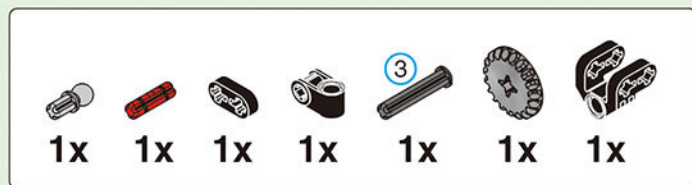
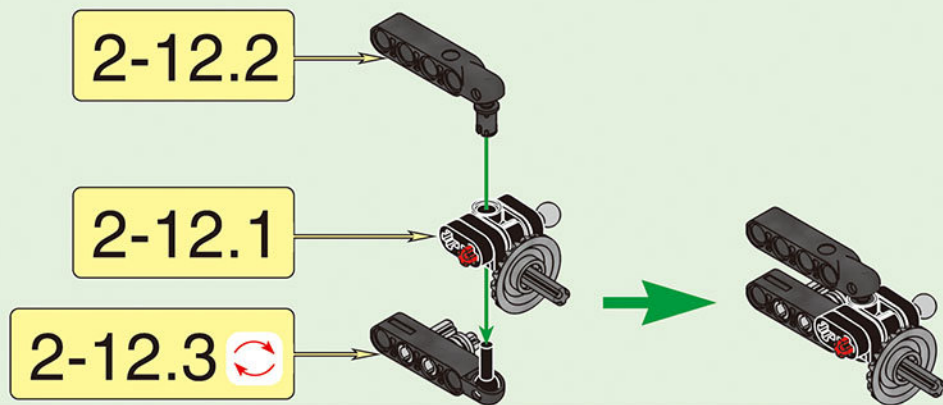


## 2-12.3





# 2-12

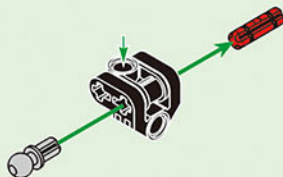


# 2-13.1

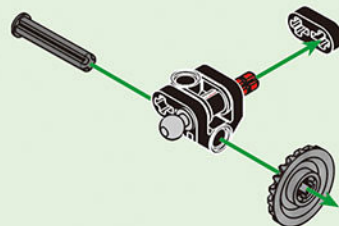
1



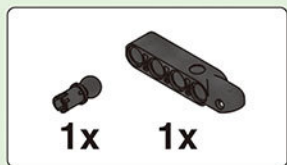
2



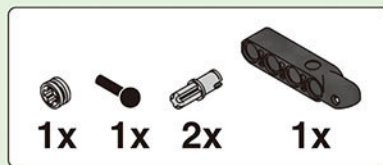
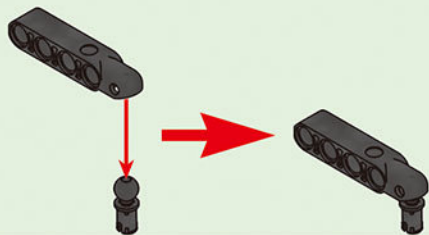
3



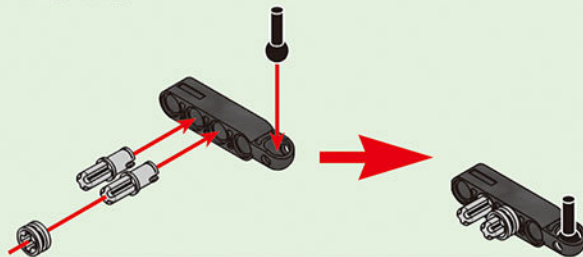




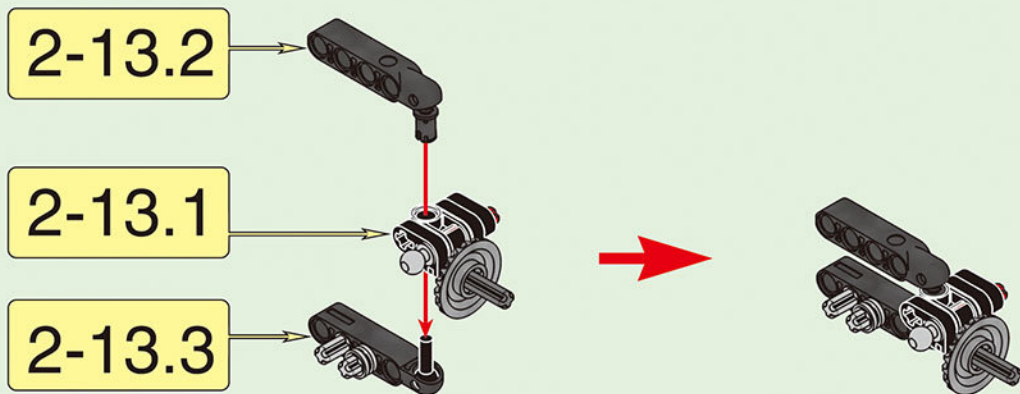
2-13.2



2-13.3

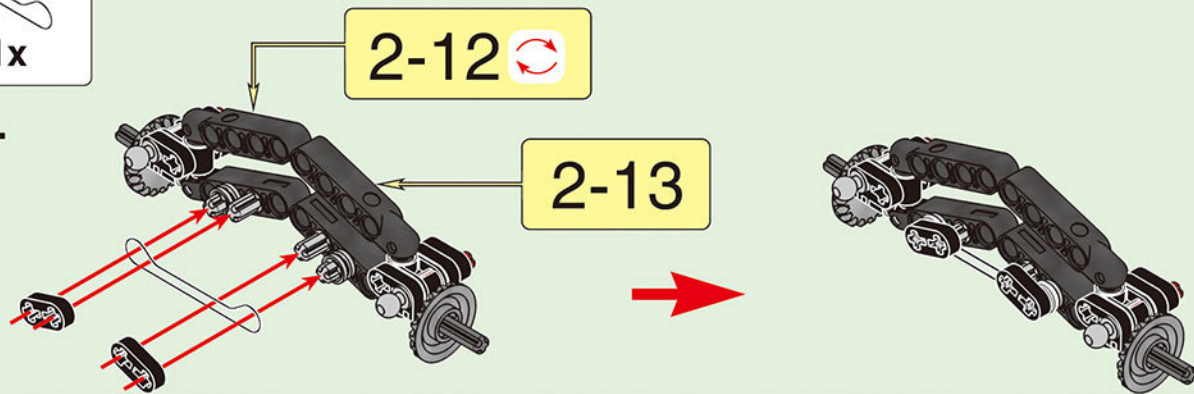


2-13

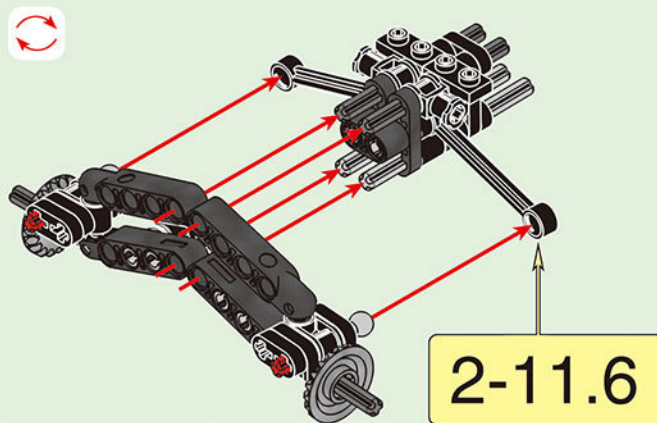




2-14



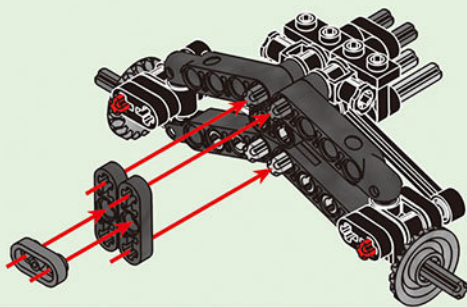
2-15





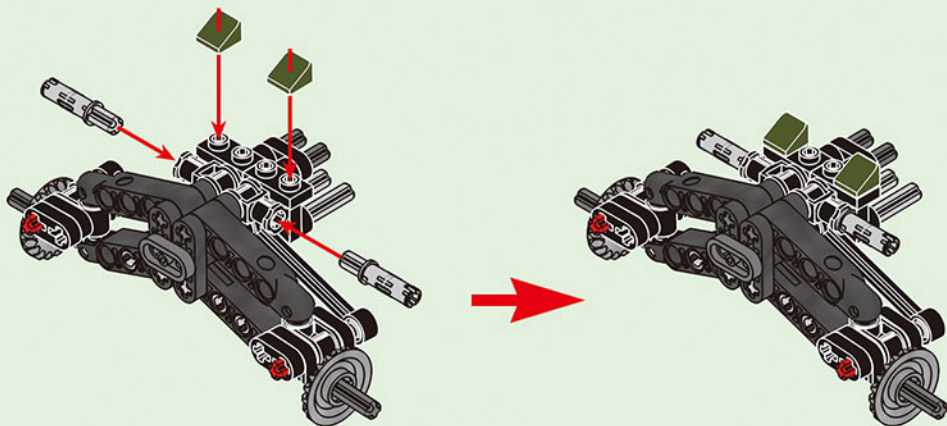
1x 2x

2-16

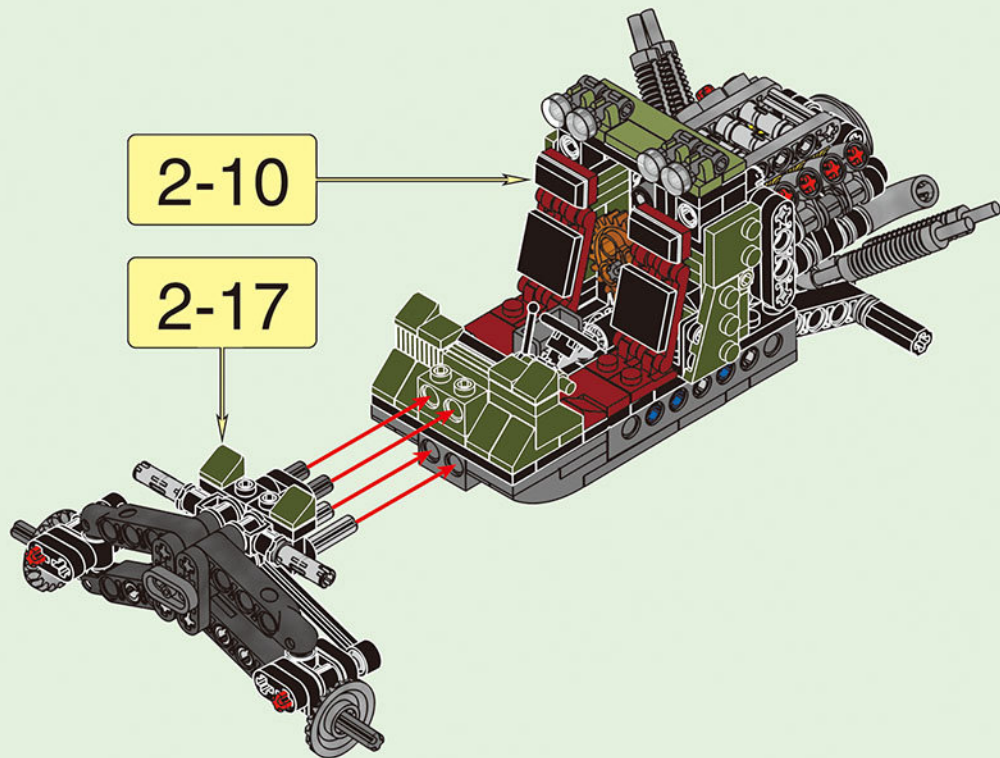


2x 2x

2-17



2-18





1x



1x



1x

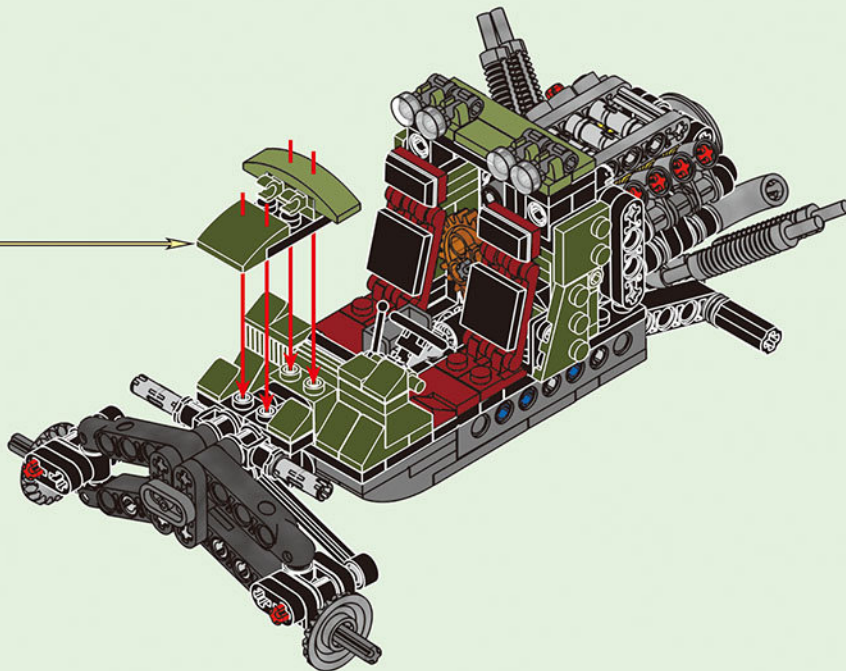
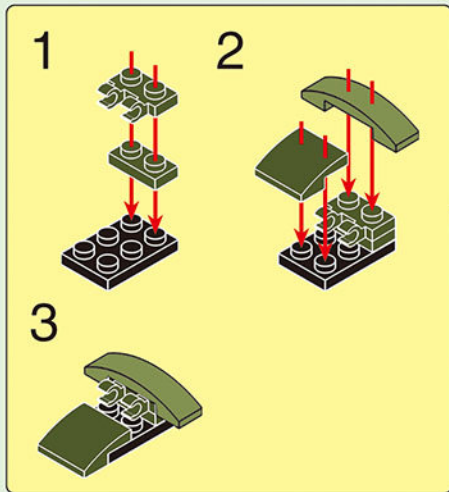


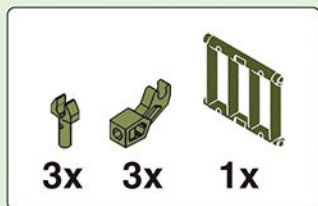
1x



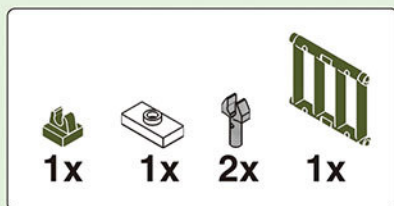
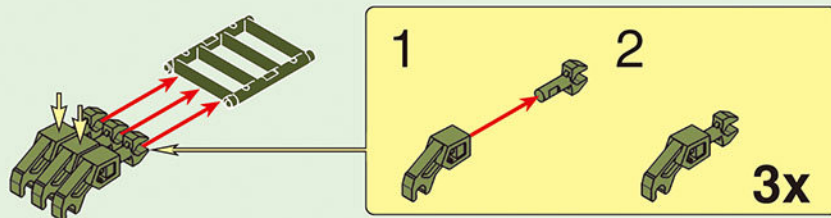
1x

# 2-19

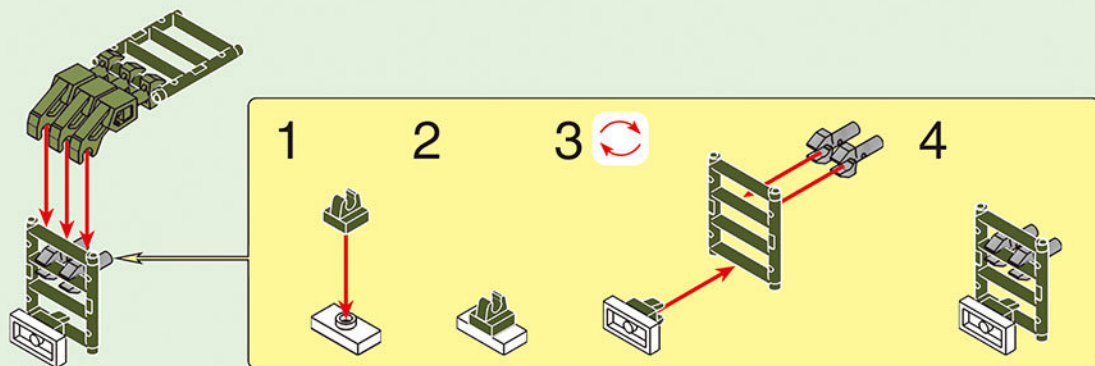




2-20.1

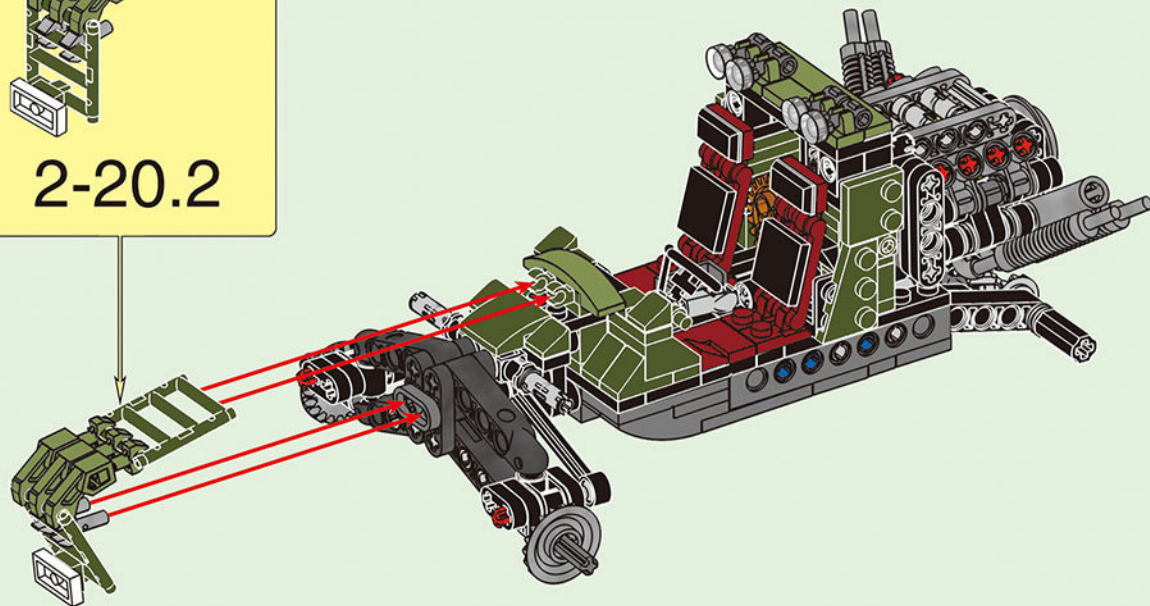
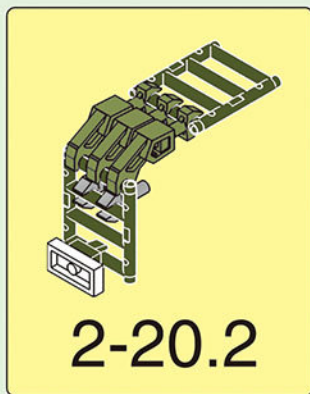


2-20.2





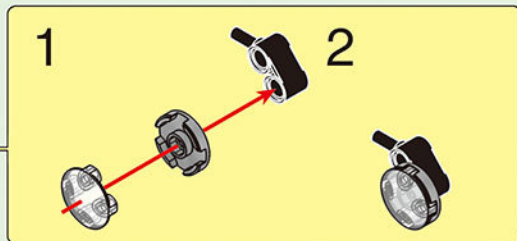
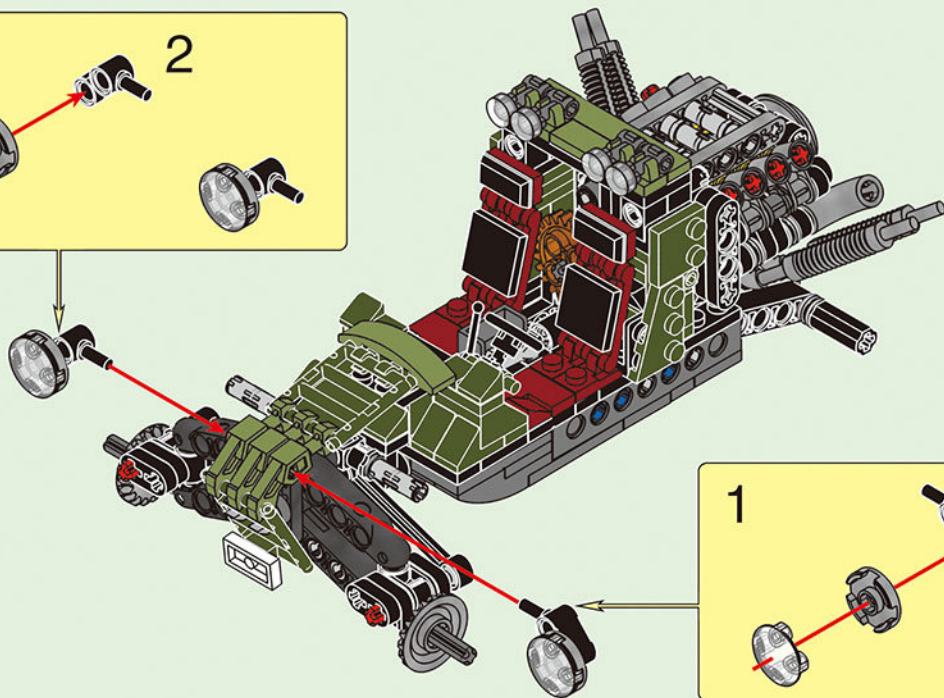
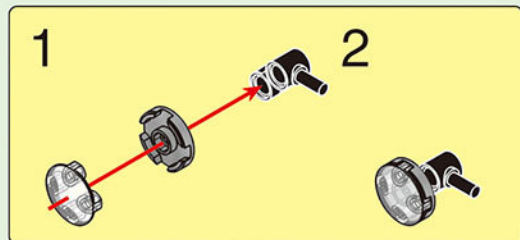
2-20

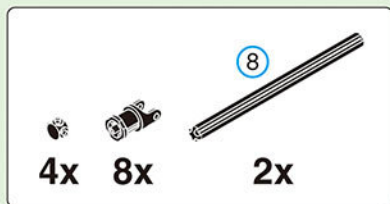




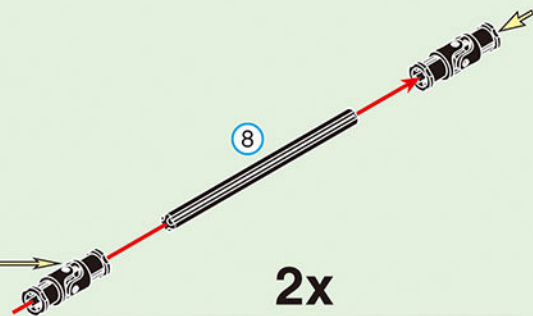
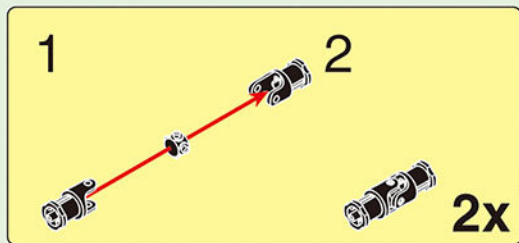


# 2-21

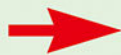
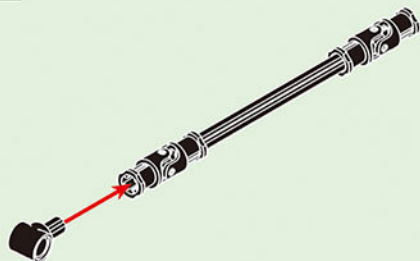




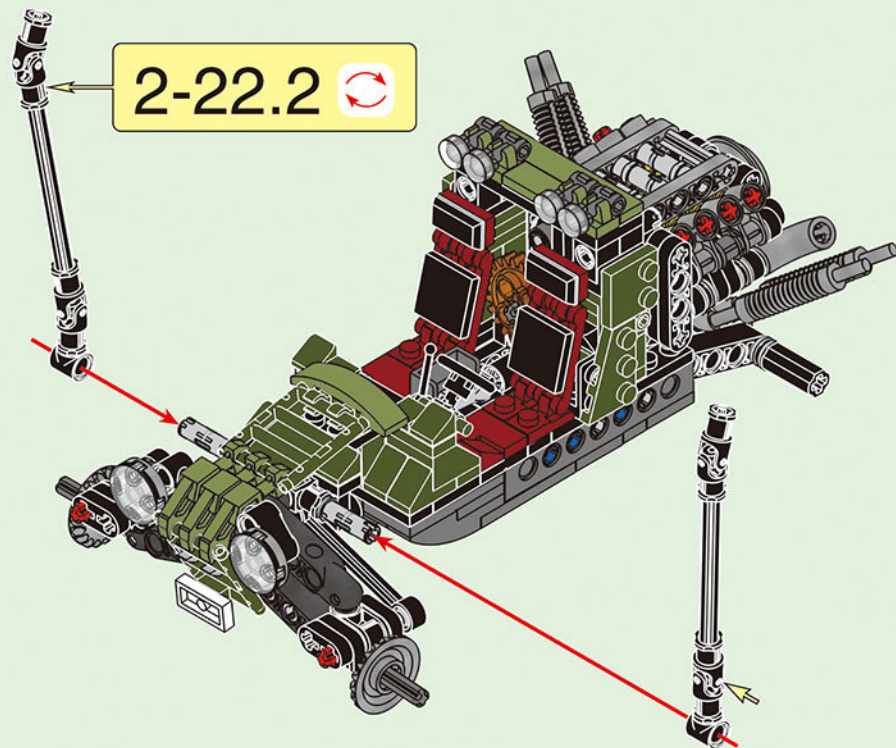
2-22.1

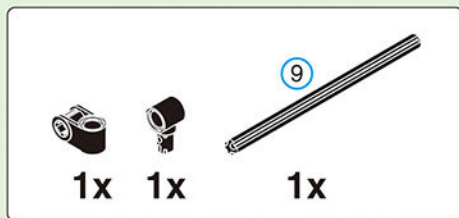


2-22.2

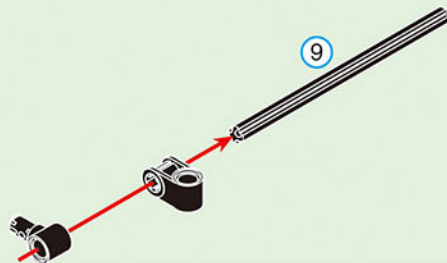


2-22

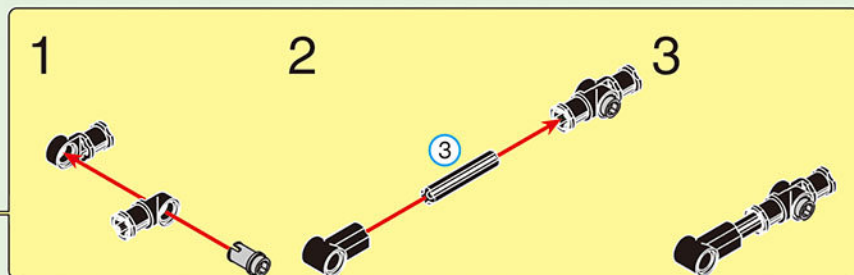
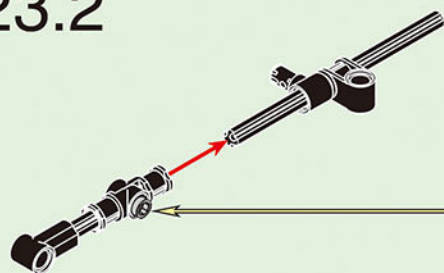




2-23.1

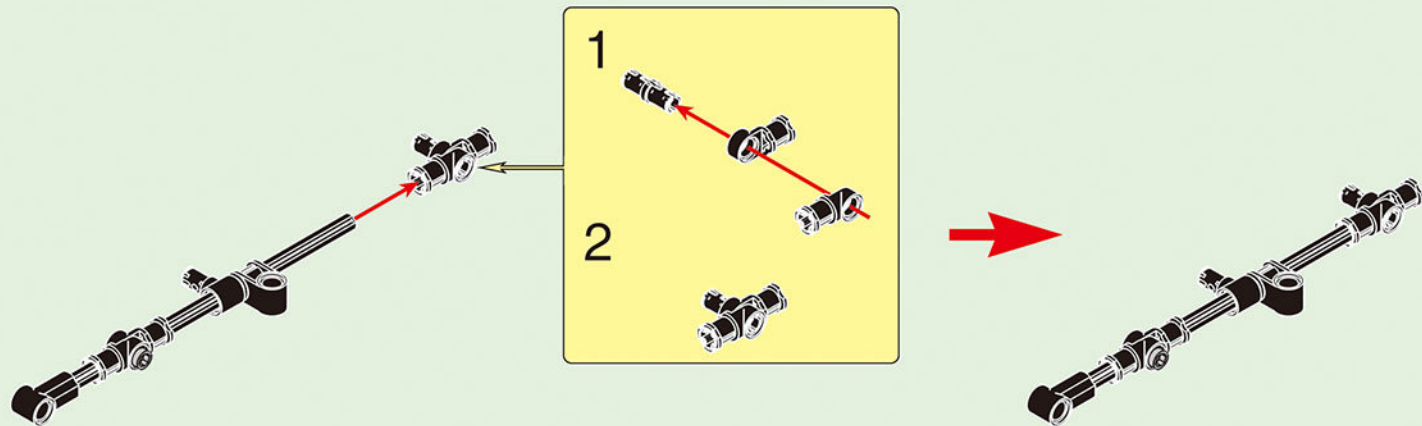


2-23.2

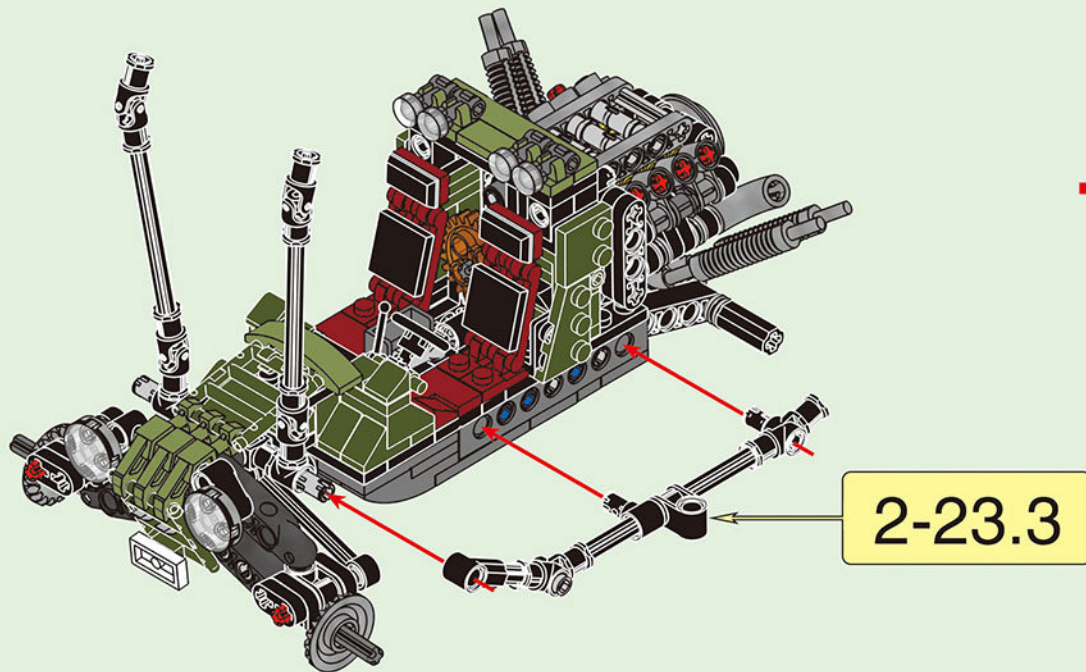


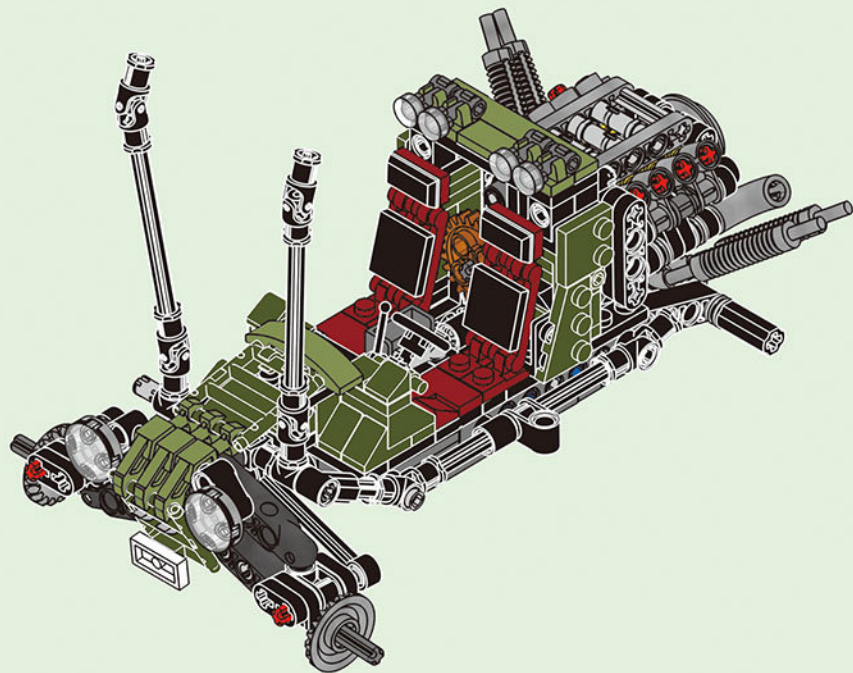


2-23.3

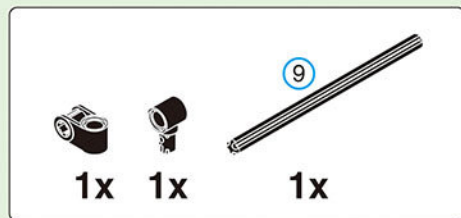


# 2-23

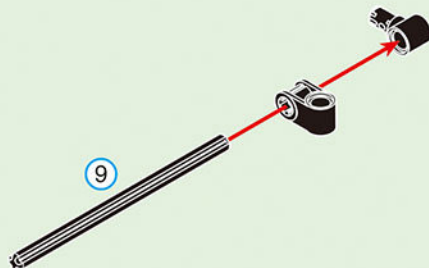




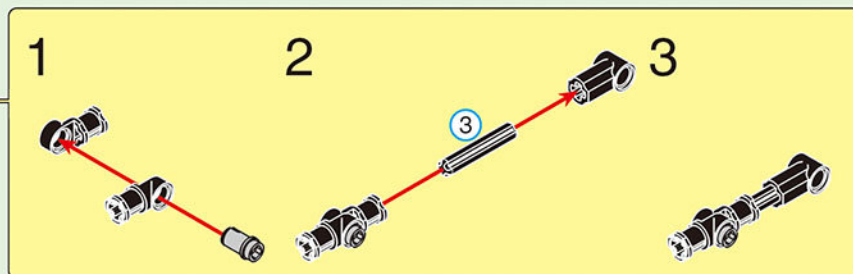
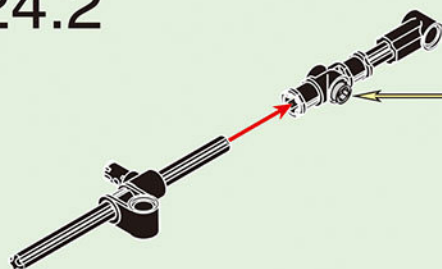




2-24.1

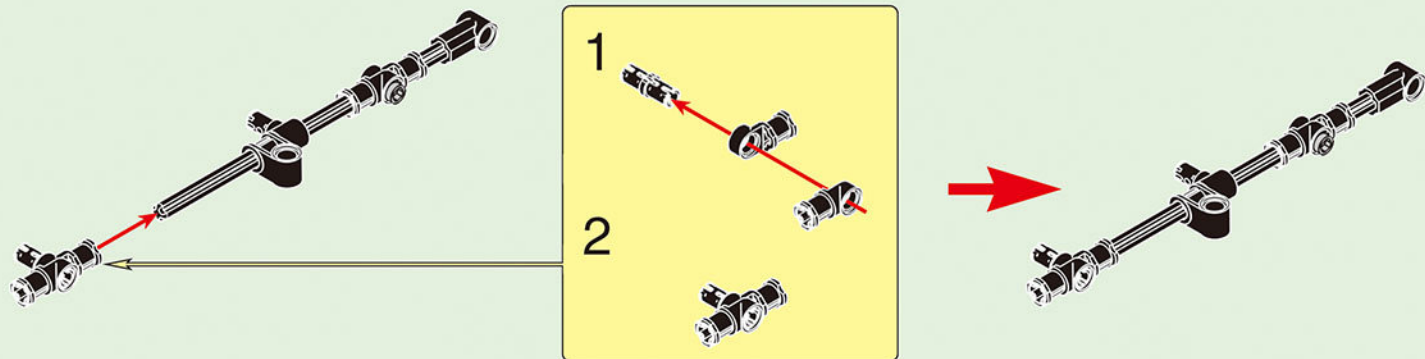


2-24.2

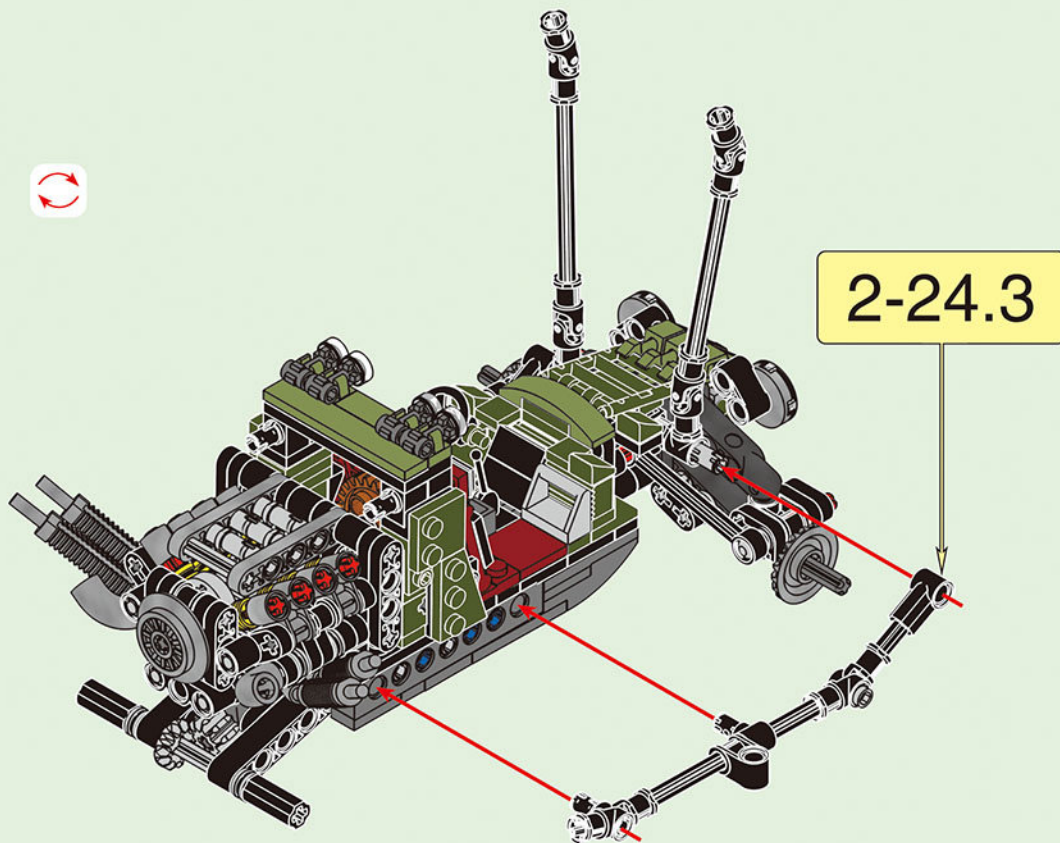


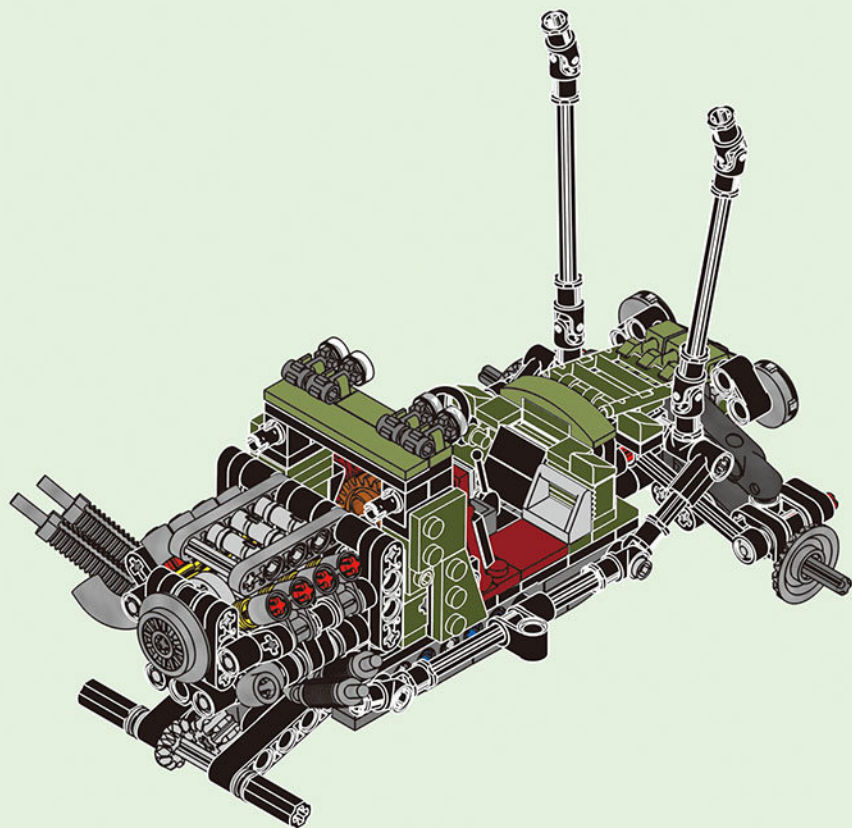


2-24.3



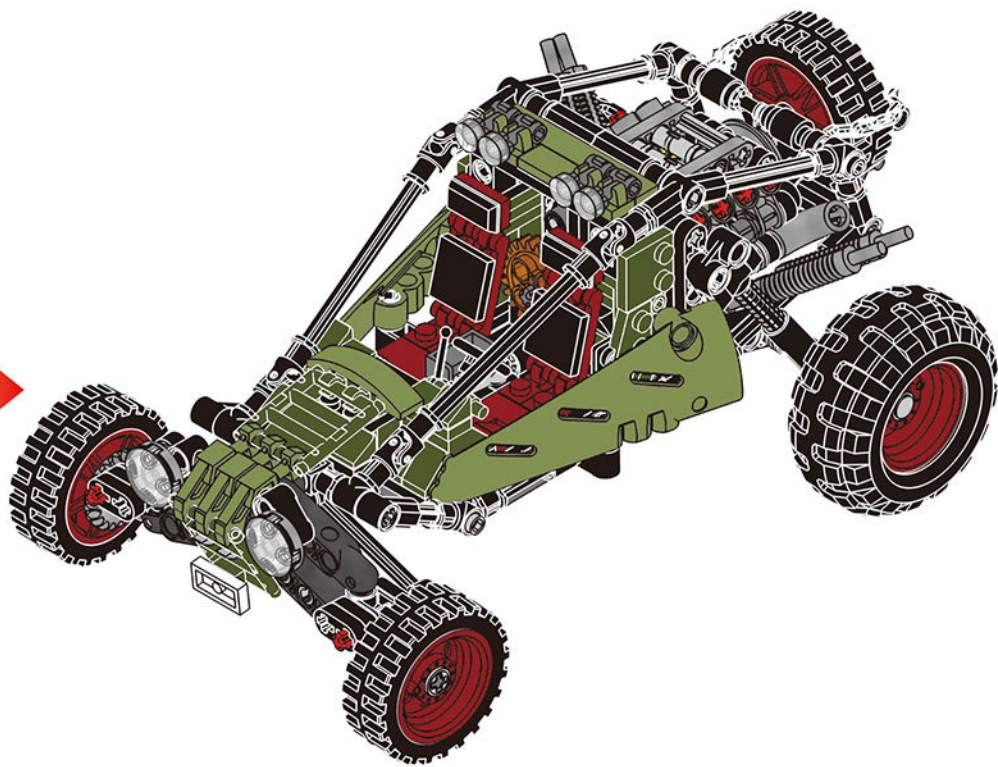
# 2-24







x2

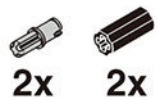
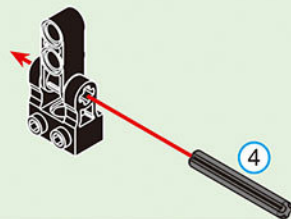




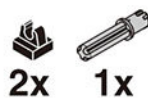
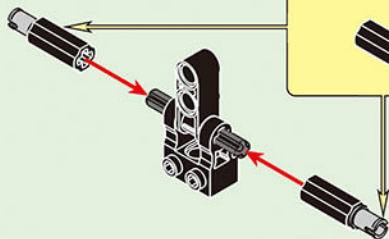
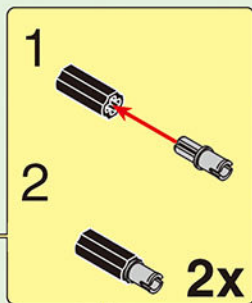
3-1



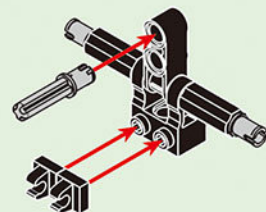
3-1.1 



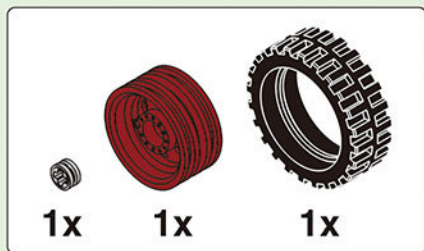
3-1.2



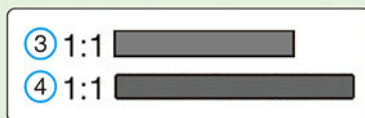
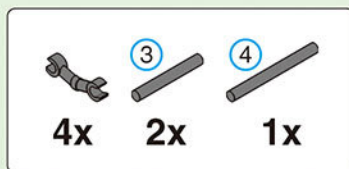
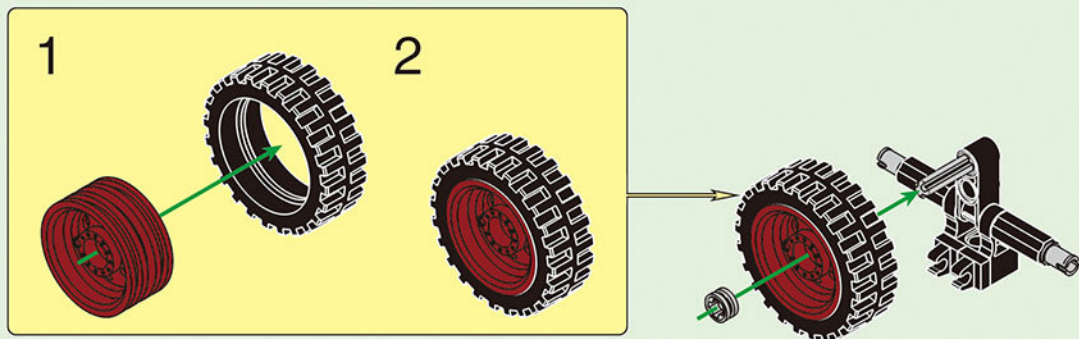
3-1.3



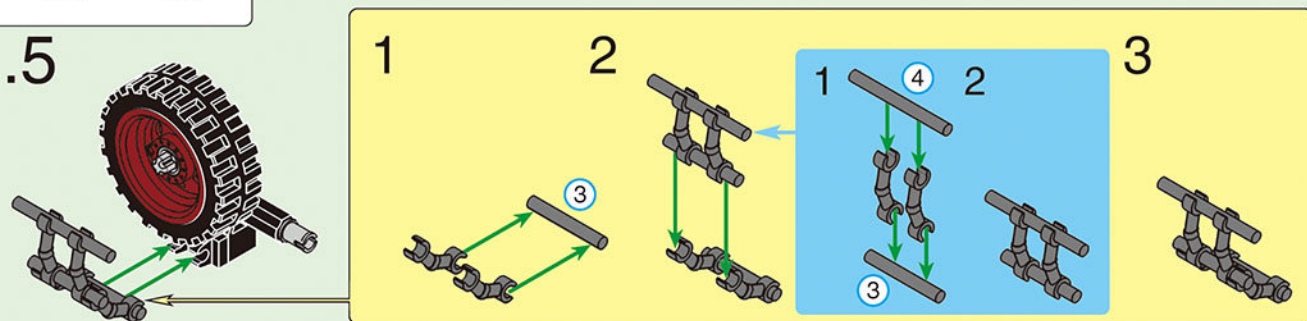




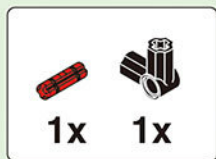
3-1.4



3-1.5



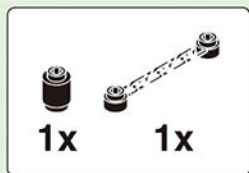
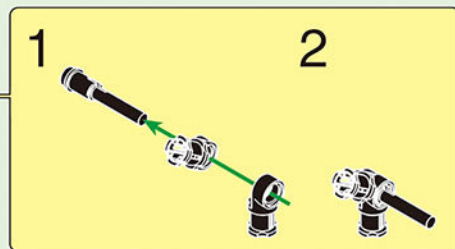
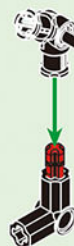




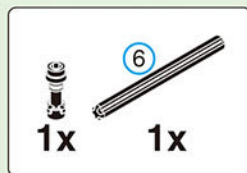
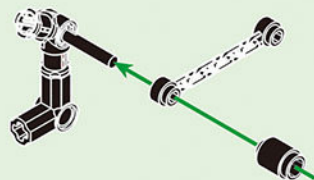
3-2.1



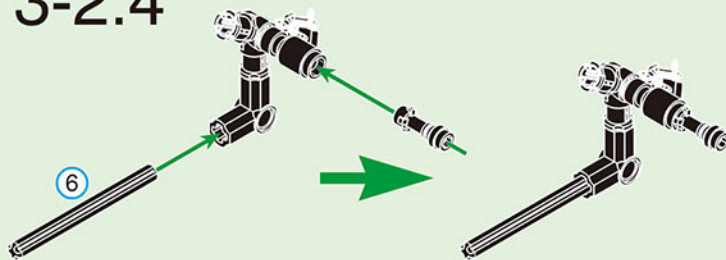
3-2.2



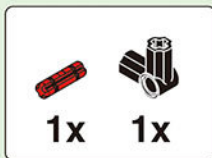
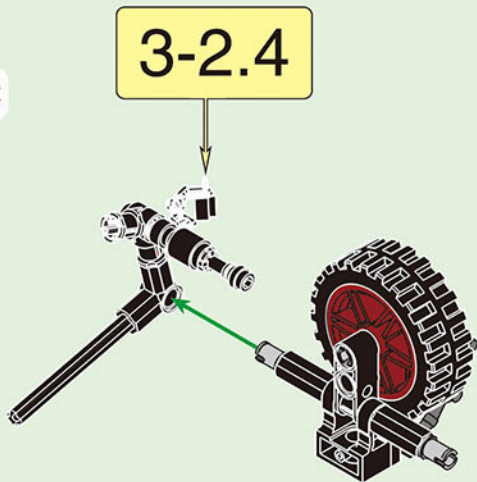
3-2.3



3-2.4



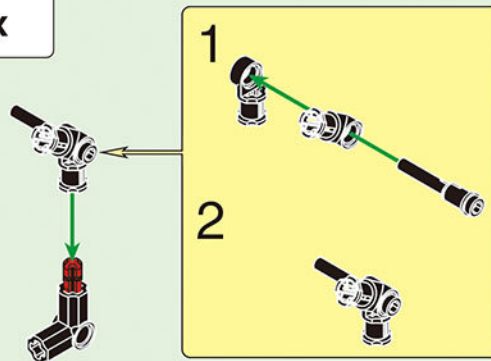
# 3-2

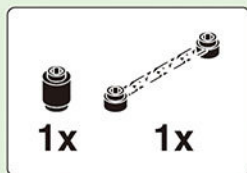


## 3-3.1

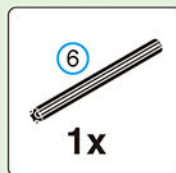
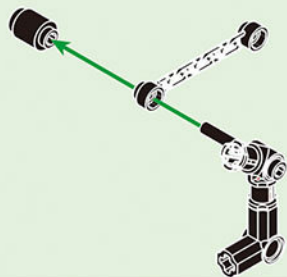


## 3-3.2

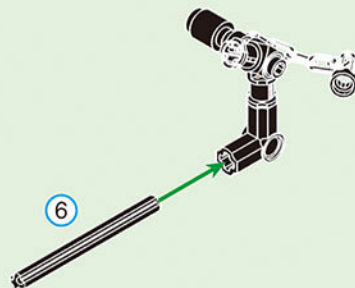




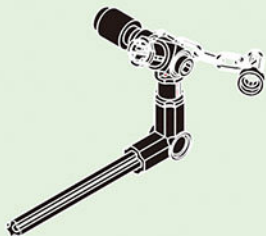
3-3.3



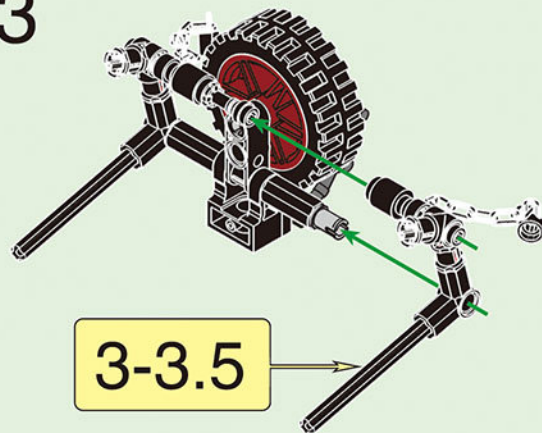
3-3.4

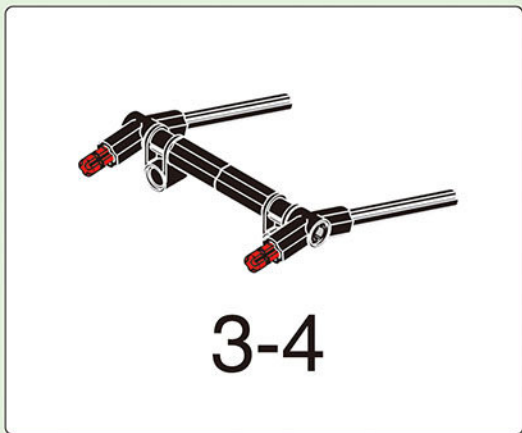


3-3.5

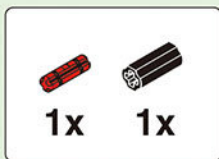
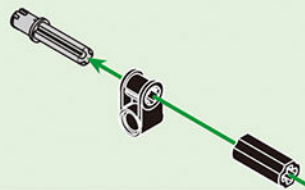


3-3

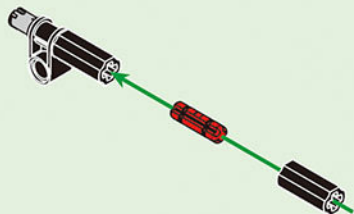




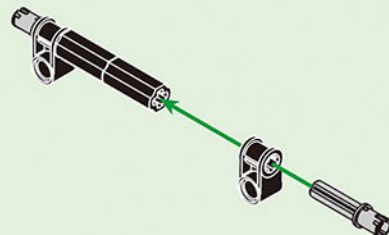
3-4.1

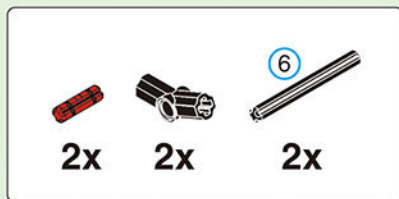


3-4.2

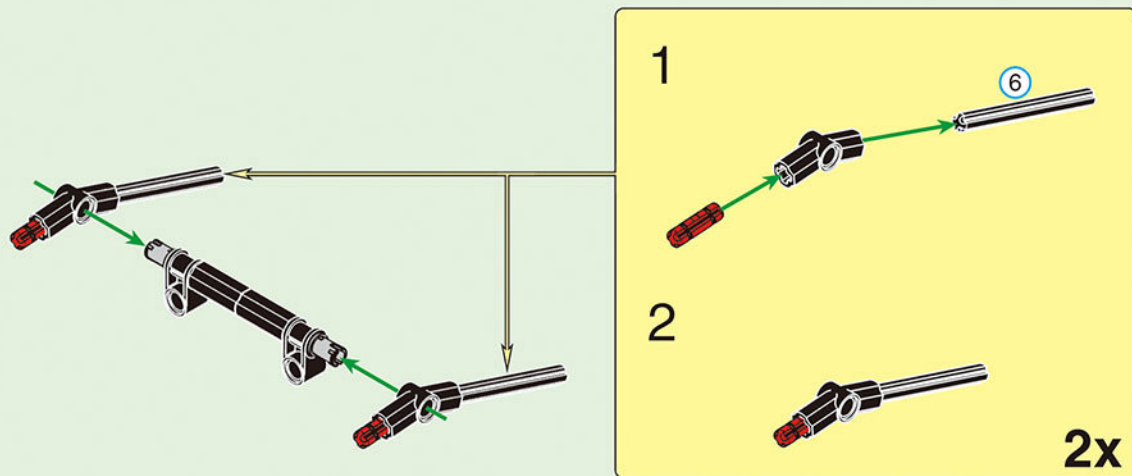


3-4.3

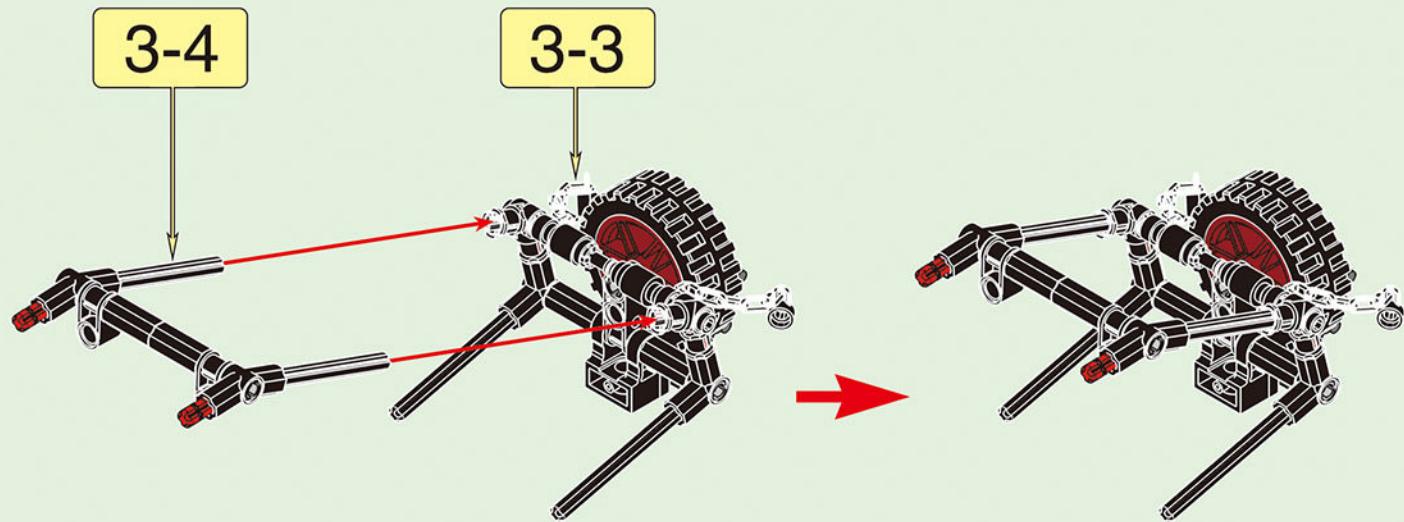




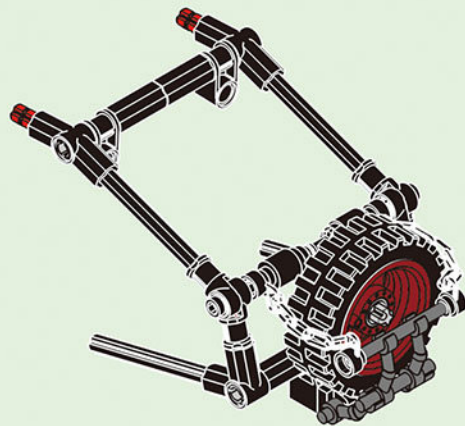
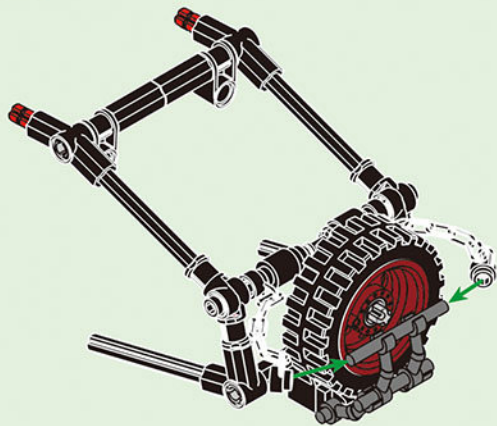
3-4.4



# 3-5

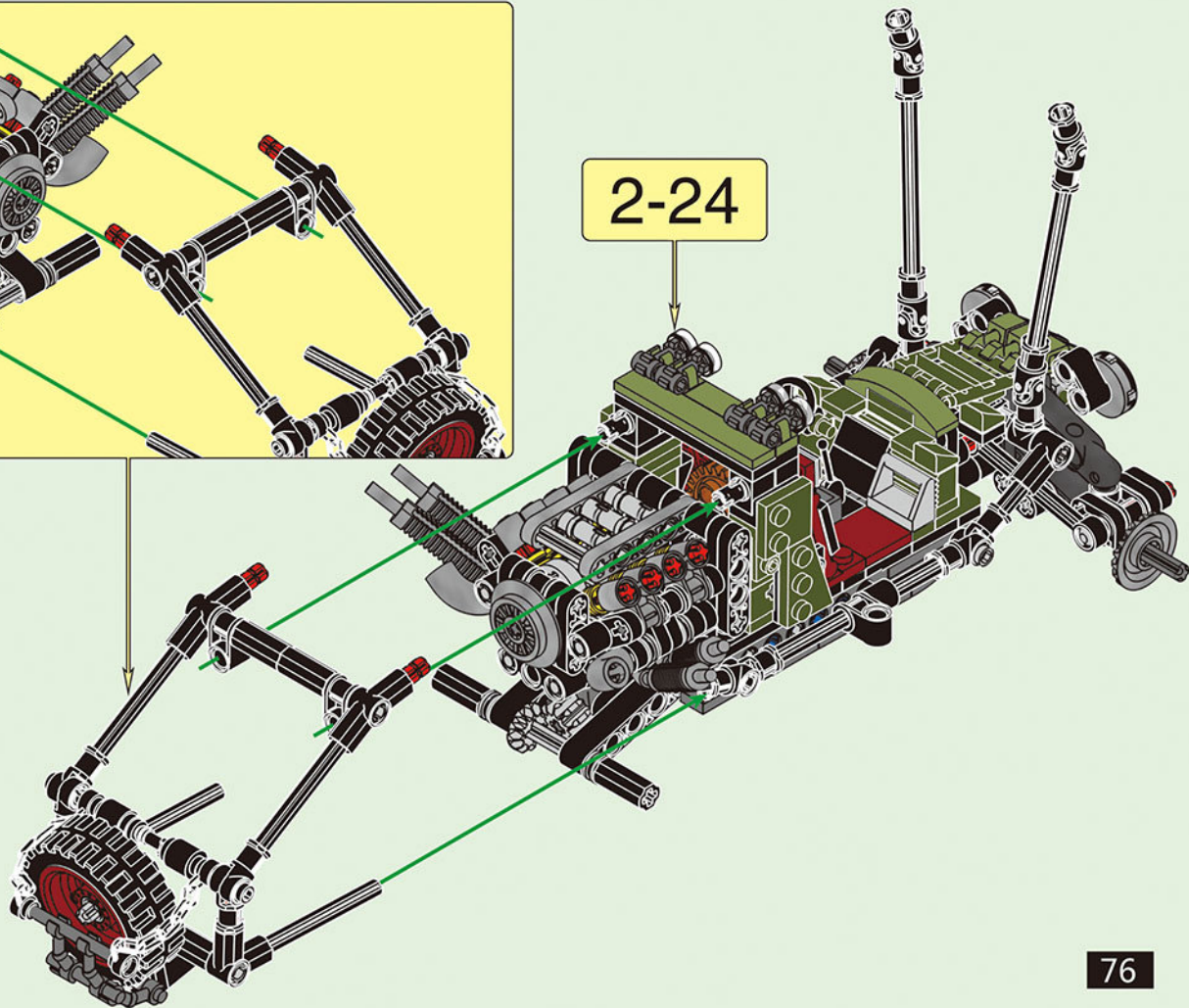
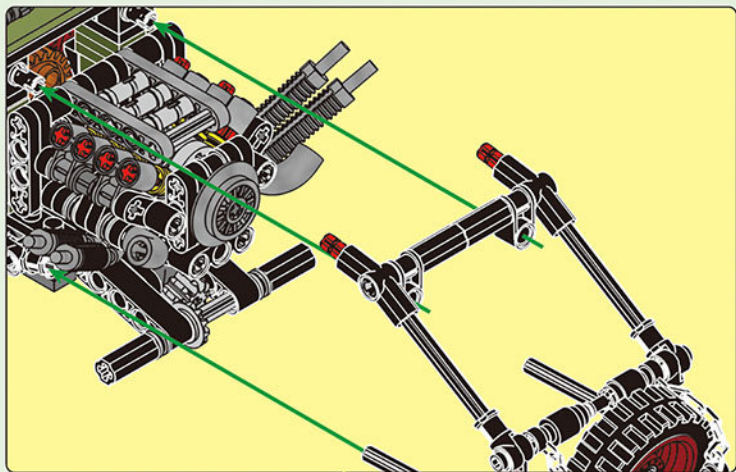


# 3-6

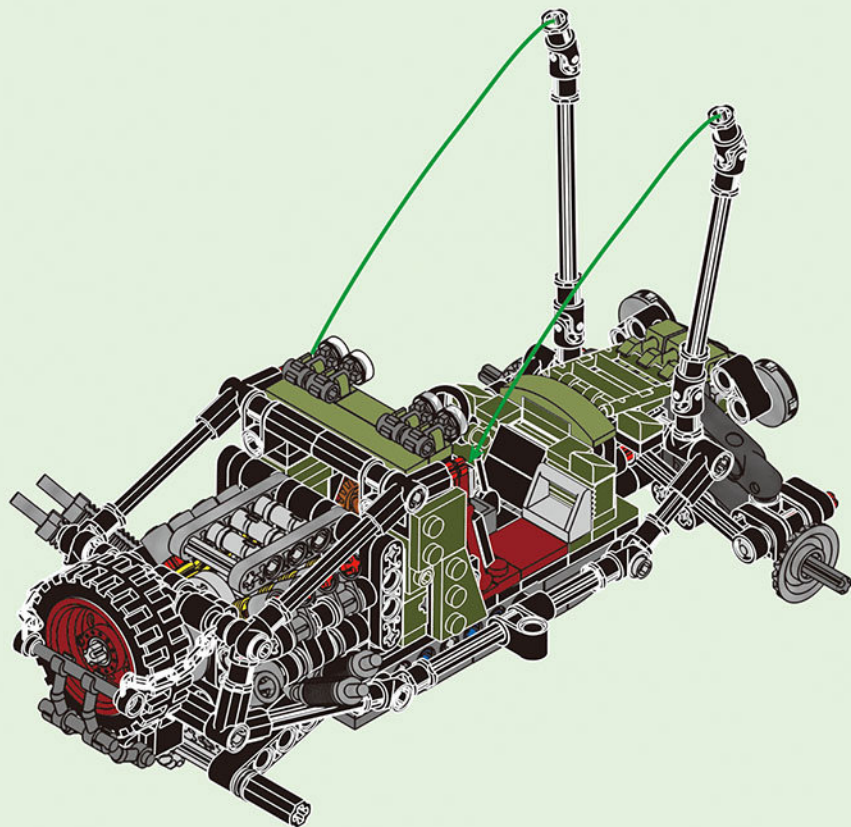


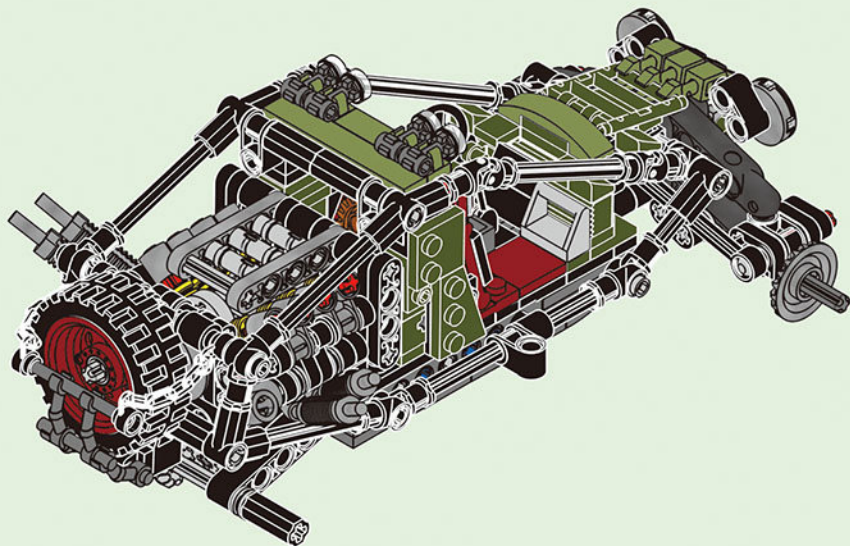


3-7



3-8







3-9



1x

3-9.1



2x

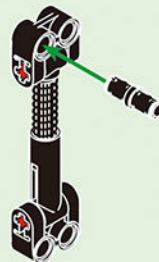
2x

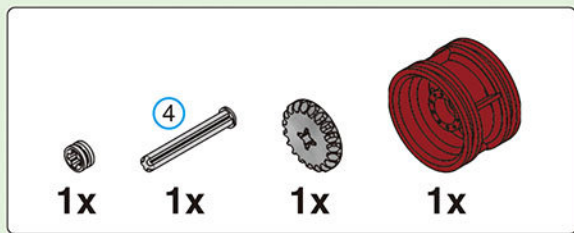
3-9.2



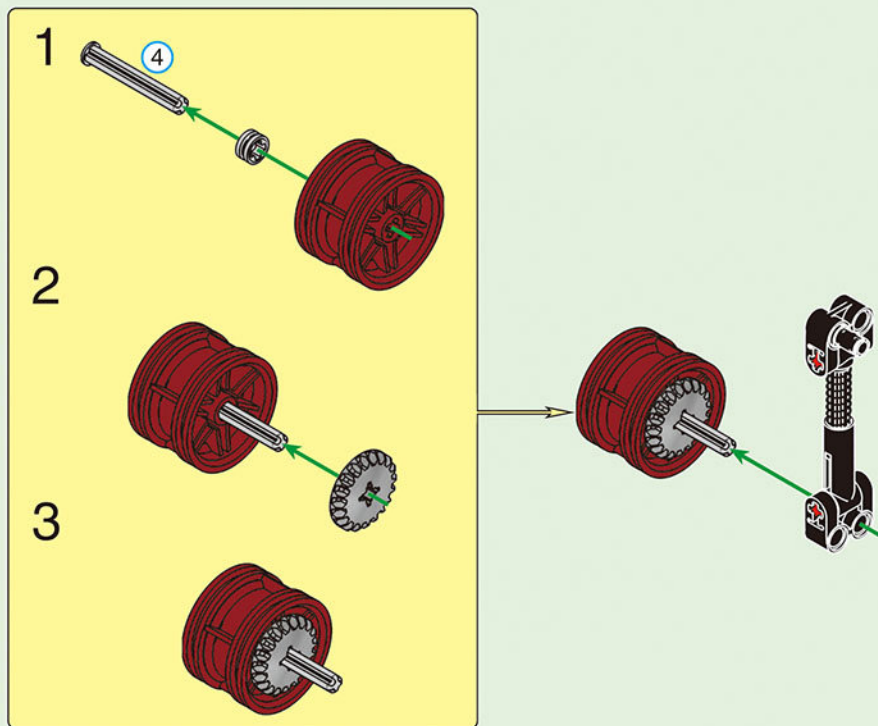
1x

3-9.3

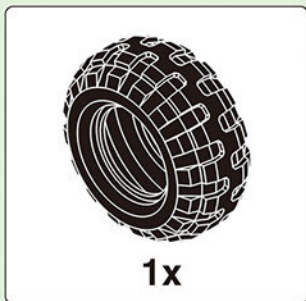




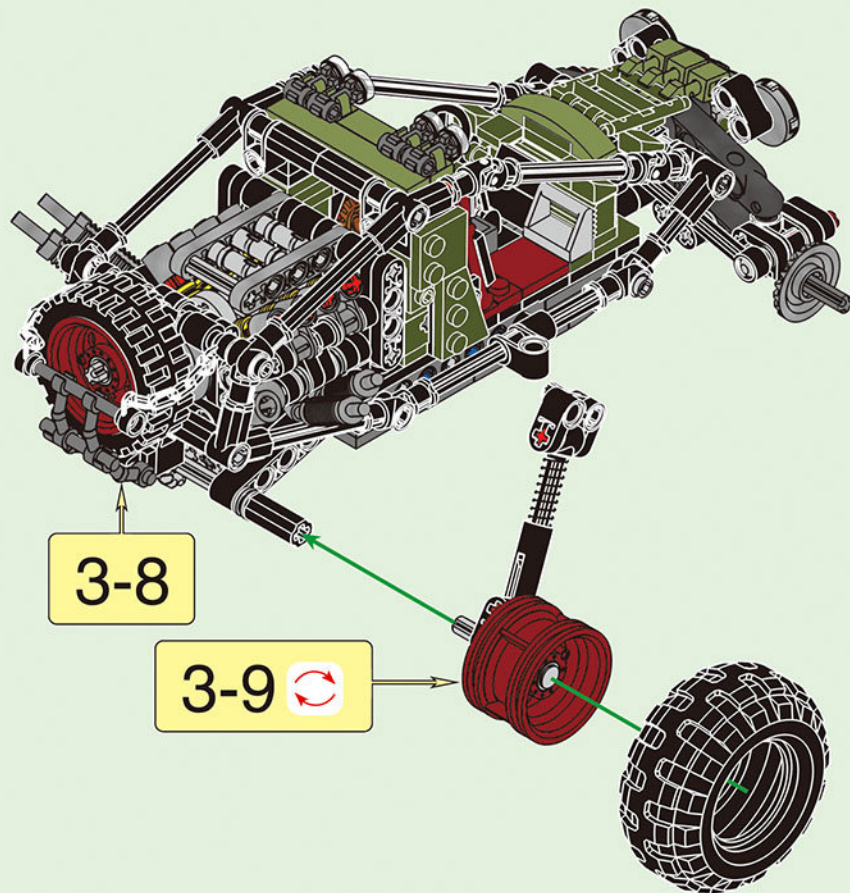
3-9.4

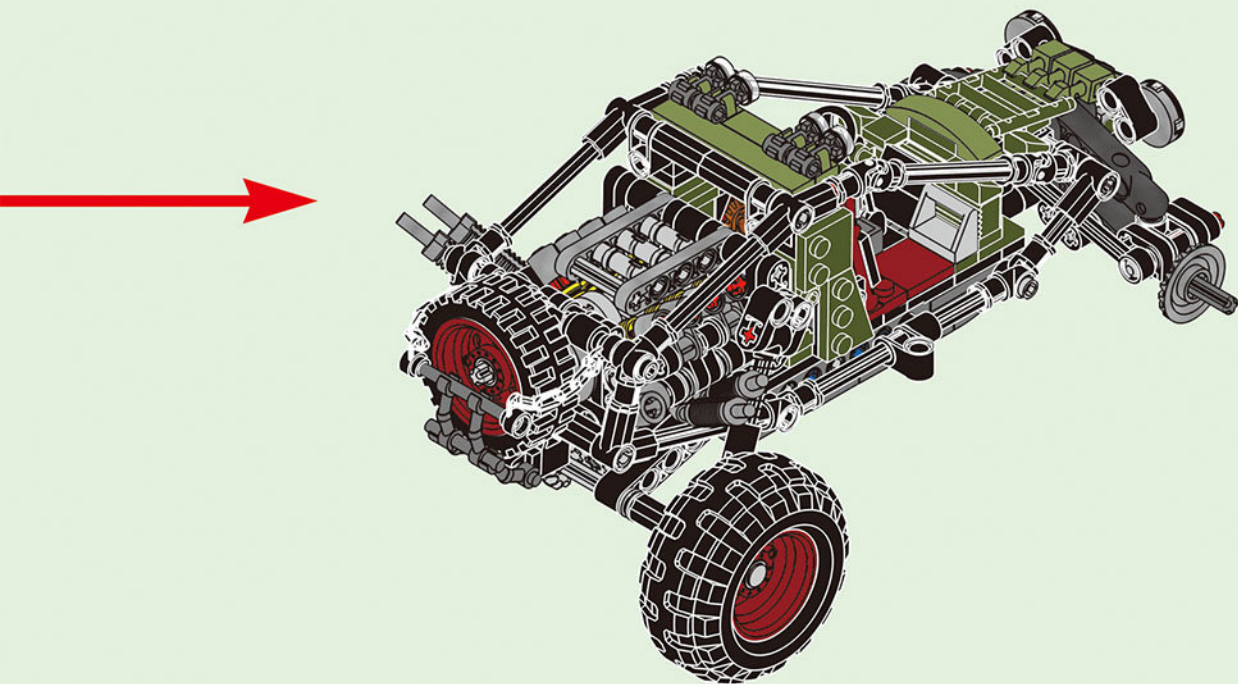




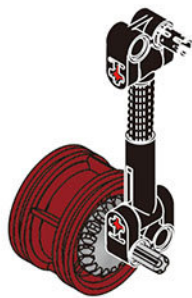


3-10









3-11



1x

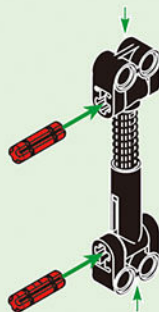
3-11.1



2x

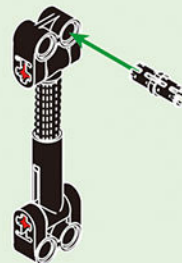
2x

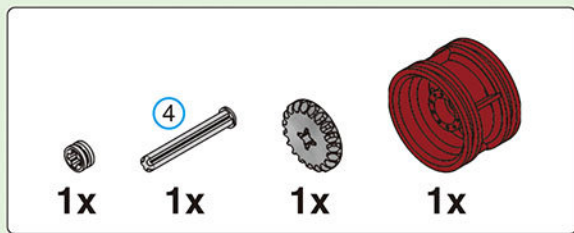
3-11.2



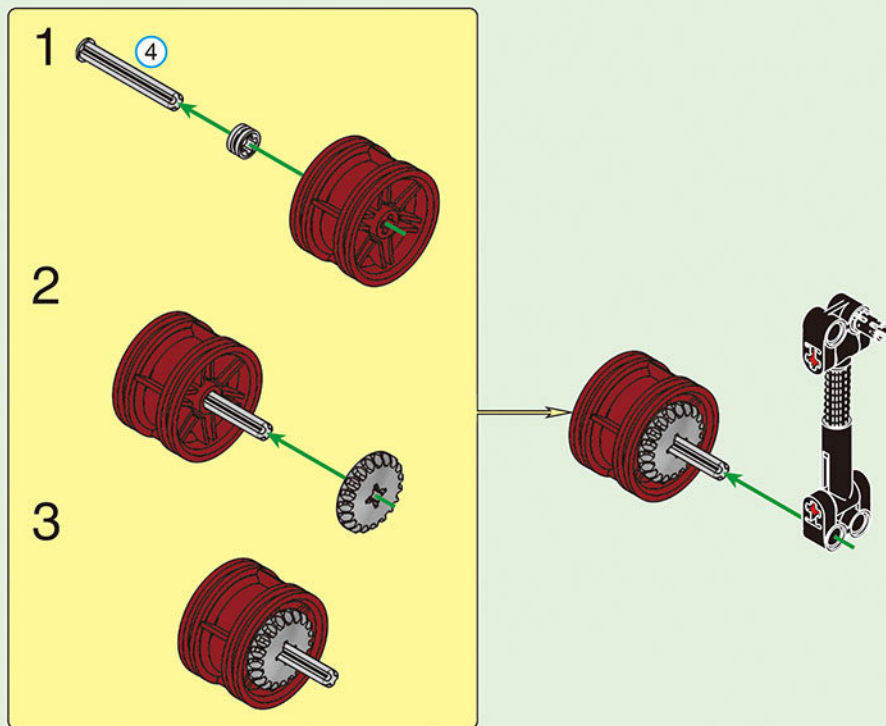
1x

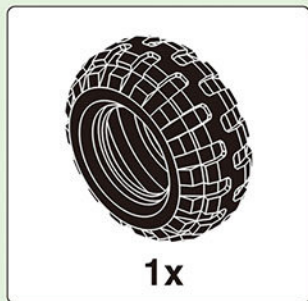
3-11.3



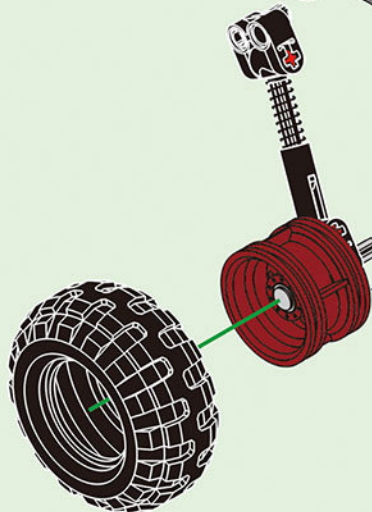
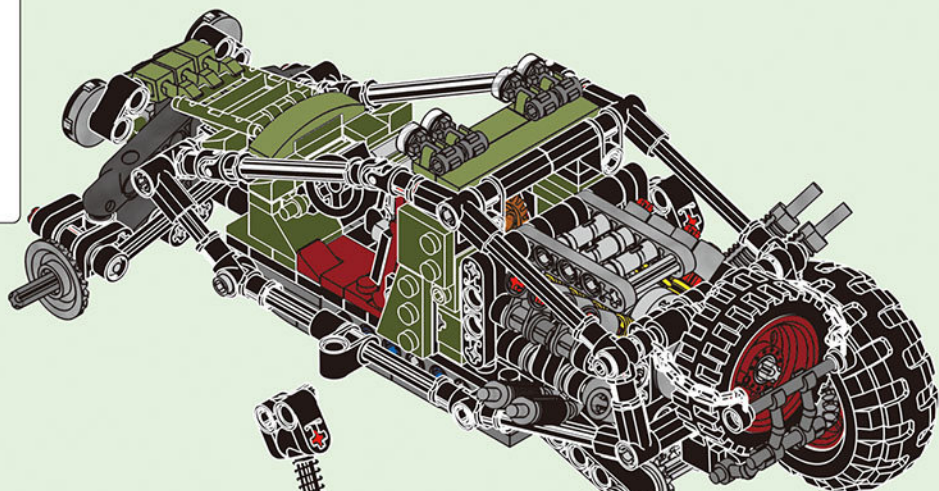


3-11.4



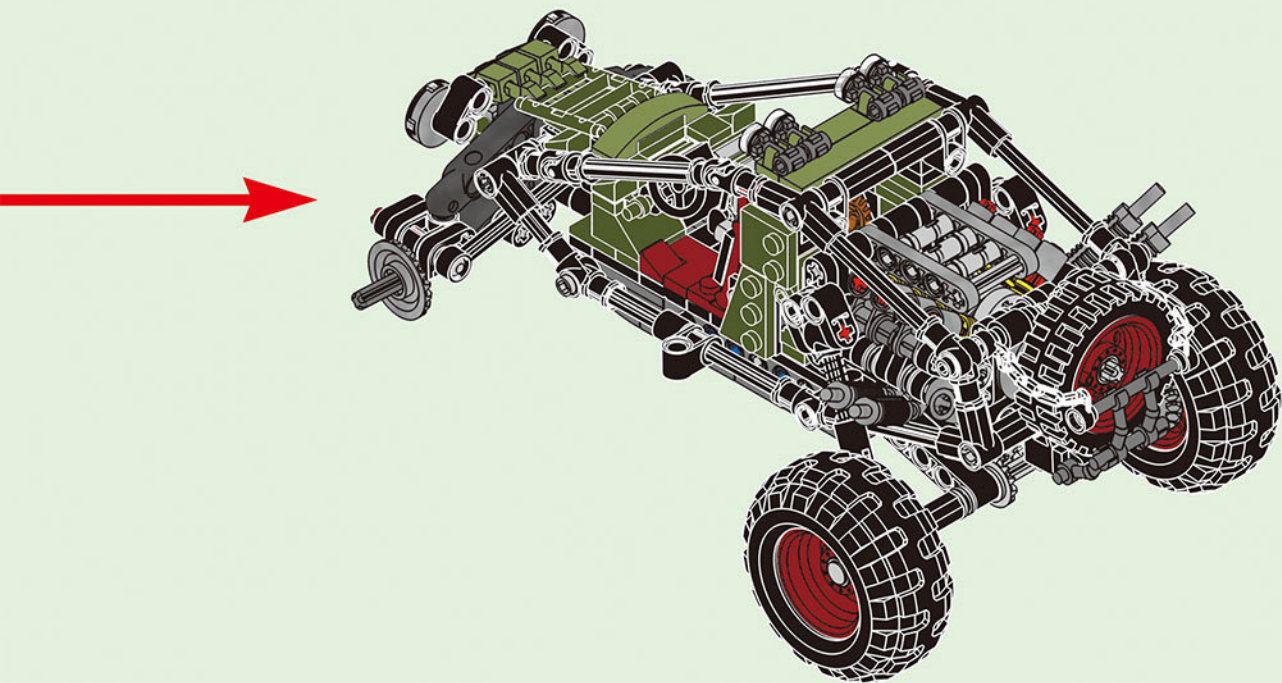


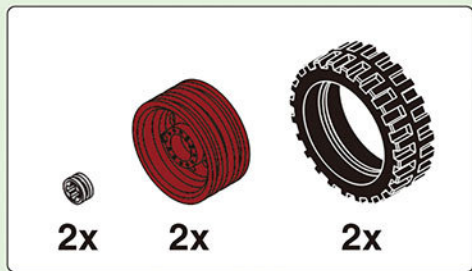
3-12



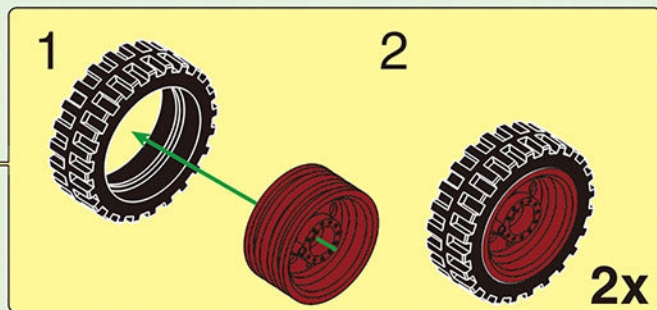
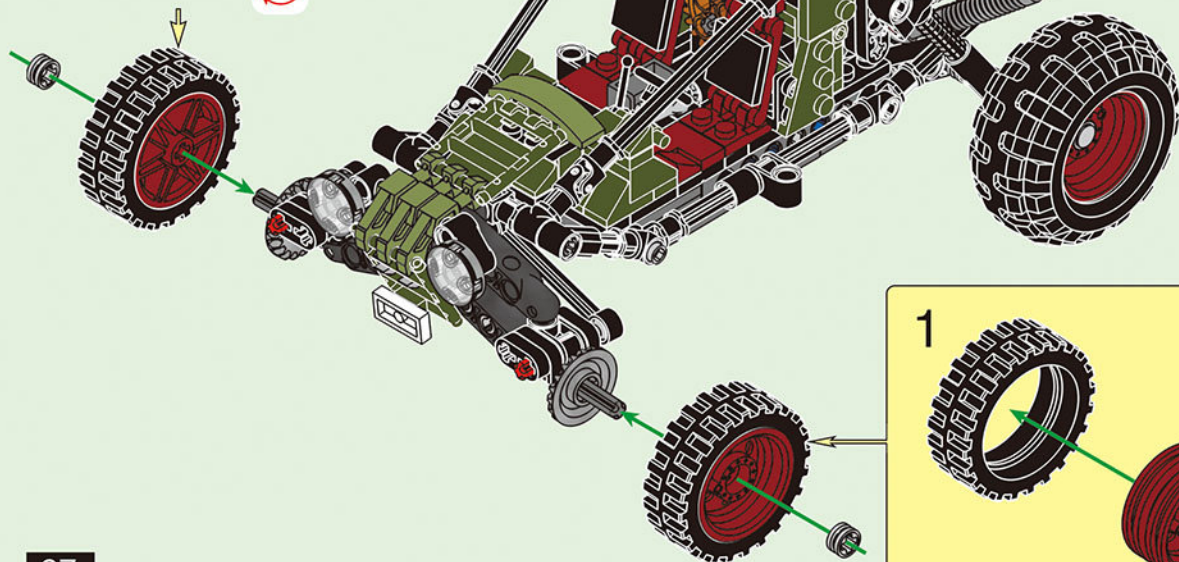
3-11 

3-8 

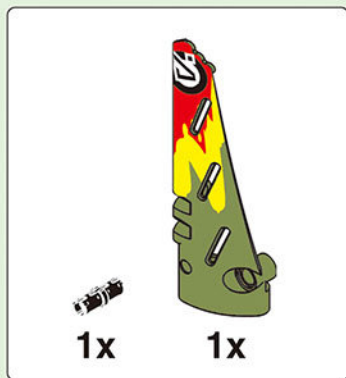




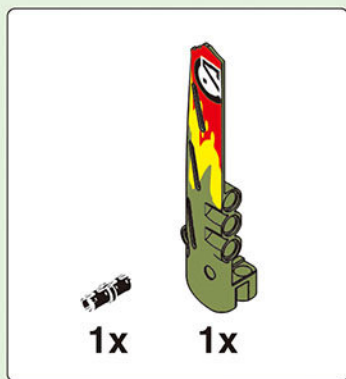
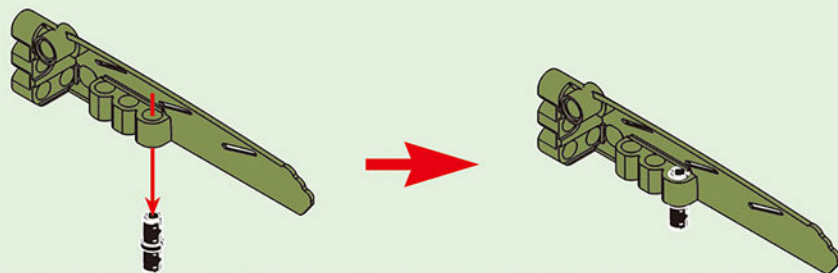
3-13



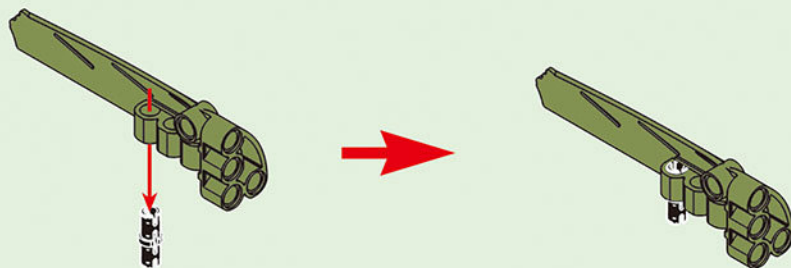




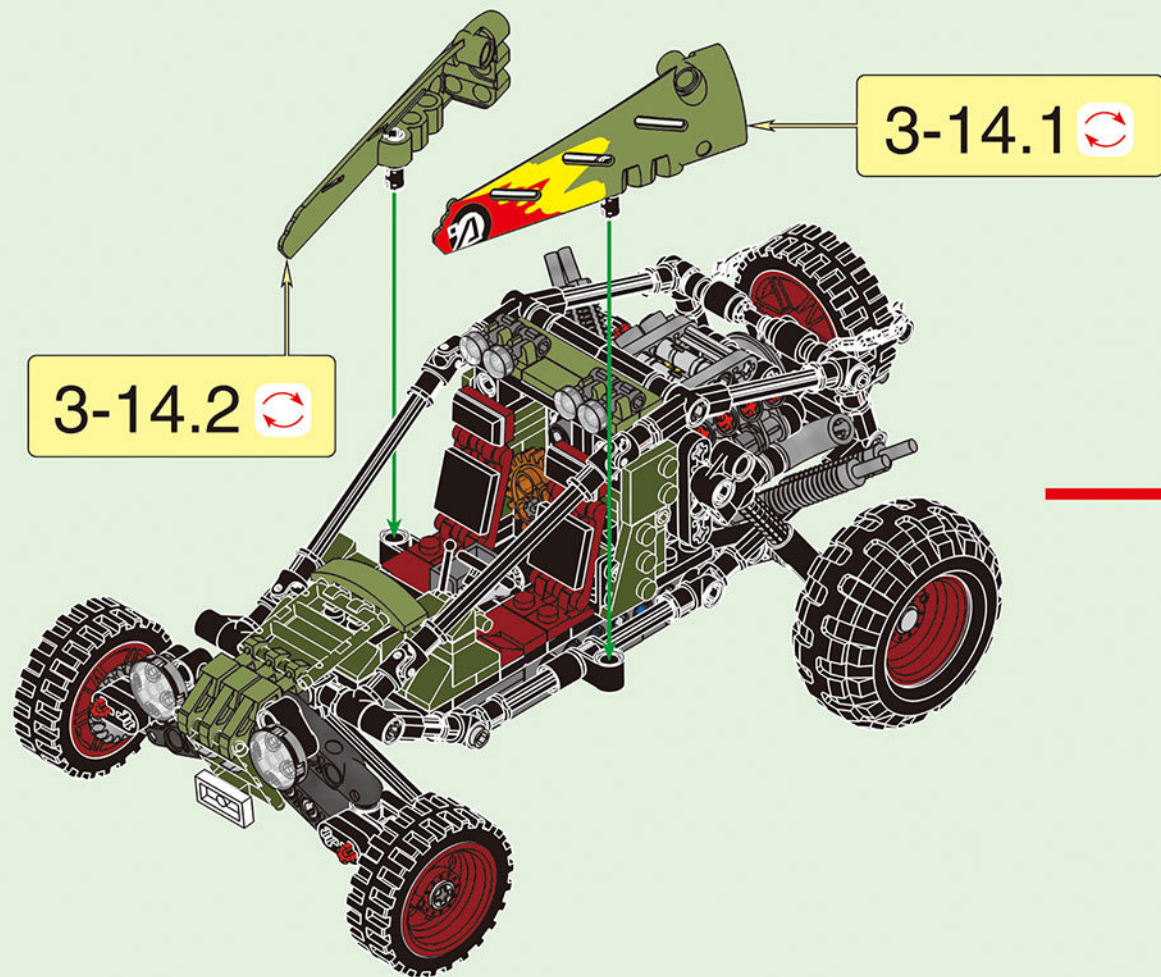
3-14.1



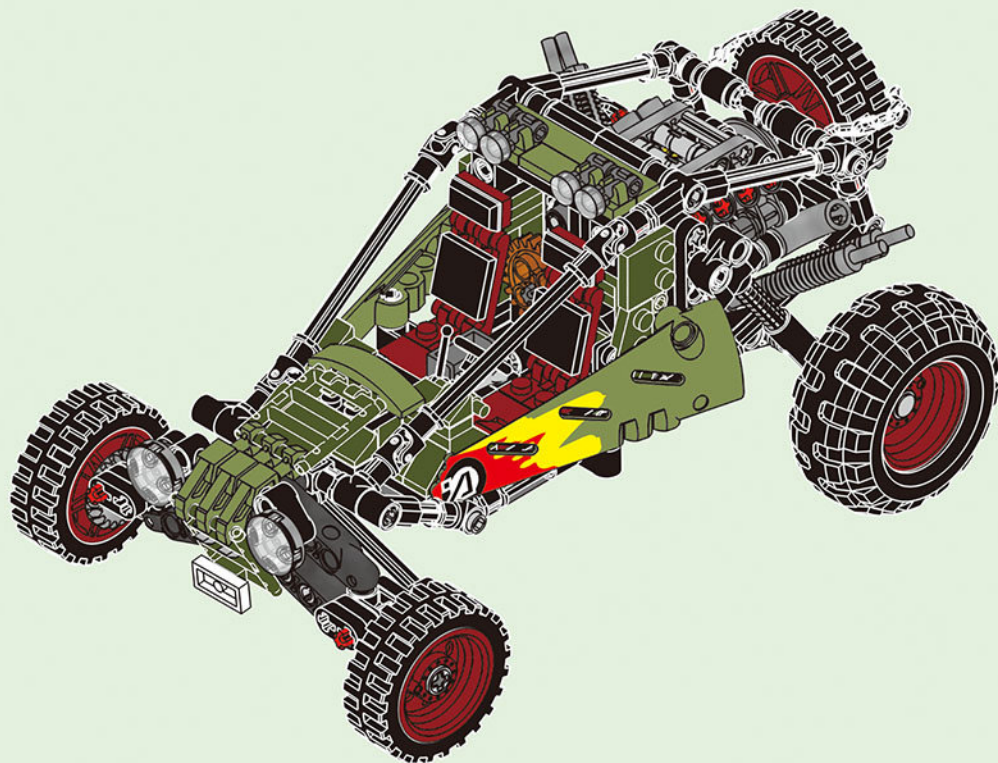
3-14.2



# 3-14





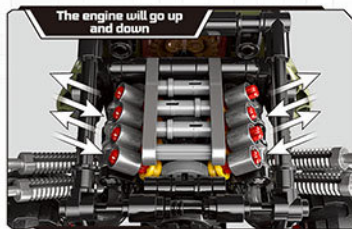


# OFFROAD ADVENTURE

## SUPER CAR

SUV BRICK CAR, SUPER COOL AND MORE FUN, LET'S PLAY TOGETHER!

### Cushioning



The engine will go up and down



**DE: ACHTUNG!** Nicht geeignet für Kinder unter 3 Jahren. Erstickungsgefahr, verschluckbare Kleinteile.

**EN: WARNING!** CHOKING HAZARD. Small parts. Not for children under 3 years.

**FR: ATTENTION!** Ne convient pas pour les enfants de moins de 3 ans. Contient de petites pièces.

**NL: ATTENTIE!** Niet geschikt voor kinderen beneden 3 jaar. Kleine onderdelen kunnen worden ingeslikt.

**IT: ATTENZIONE!** Non adatto a bambini di età inferiore ai 3 anni. A causa di piccole parti.



0-3

**freakware GmbH, Karl-Ferdinand-Braun-Str. 33, 50170 Kerpen (Germany)**

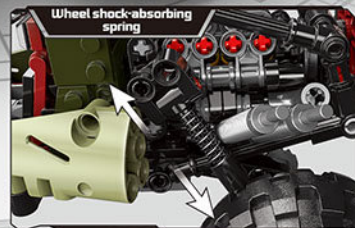
[www.Klemmbausteine.eu](http://www.Klemmbausteine.eu)

**fw**  
**freakware**

INDEPENDENT  
SUSPENSION FUNCTION



Engine detaches the wheel hub  
can be turns



Wheel shock-absorbing  
spring

**XB-03033**

03033-1901-V2